

Cube67 Valve-Interface, I/O Extension Module

DO16, Festo CPV , Sub-D 25 pol., 0,6m

Expansion module

DO32 - Valve (E) 0.5 m

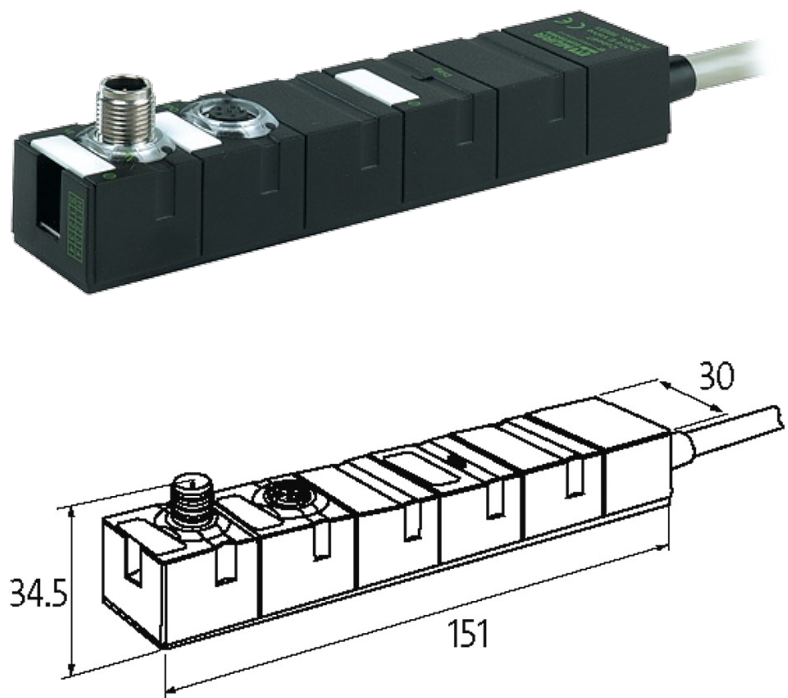
Multipole plug (0.5 A)

FESTO - CPV-VA (SUB-D25)

Connection cables are in the online shop under "Connection Technology". Housing fully potted.

[Link to Product](#)

Illustration



Product may differ from Image

Approvals



Internal communication

Current consumption max. 50 mA

LED display US: sensor supply and internal supply voltage (green: OK); UA: actuator supply (green: OK)

Connections

The information in this brochure has been compiled with the utmost care.

Liability for the correctness completeness and topicality of the information is restricted to gross negligence. Version: 03/19

Murrelektronik GmbH | Falkenstraße 3 | 71570 Oppenweiler | Fon +49 (71 91) 47-0 | Fax +49 (71 91) 47-491000 | shop@murrelektronik.com | shop.murrelektronik.com

Fieldbus	via internal system connection
Sensor-system/actuator supply	via internal system connection (max. 2×4 A)
I/O ports	FESTO - CPV-VA (SUB-D25)
Cables	
No./diameter of wires	36 × 0.14 mm ²
Material (jacket)	PVC
Cable Length	0.5 m
General data	
Dimensions H × W × D	150×30×34.5 mm
Protection	IP67
Mounting method	2-hole screw mounting
Temperature range	0...+55 °C (storage temperature -20...+75 °C)
Output	
Switching current per output	max. 0.5 A (short-circuit and overload protected)
Actuator supply UA	24 V DC (EN 61131-2), via system connection (max. 4 A)
Diagnostic	
Communication status	via LED
Diagnostic via LED	per module
Diagnostic via BUS	per module and channel
Monitoring - under voltage	yes
Monitoring - no voltage	yes
Short-circuit and overload	yes
Actuator warning	per channel via BUS
Commercial data	
country of origin	DE
customs tariff number	85444290
EAN	4048879045117
eClass	27242604
Packaging unit	1