

Cube67 Valve-Interface, I/O Extension Module

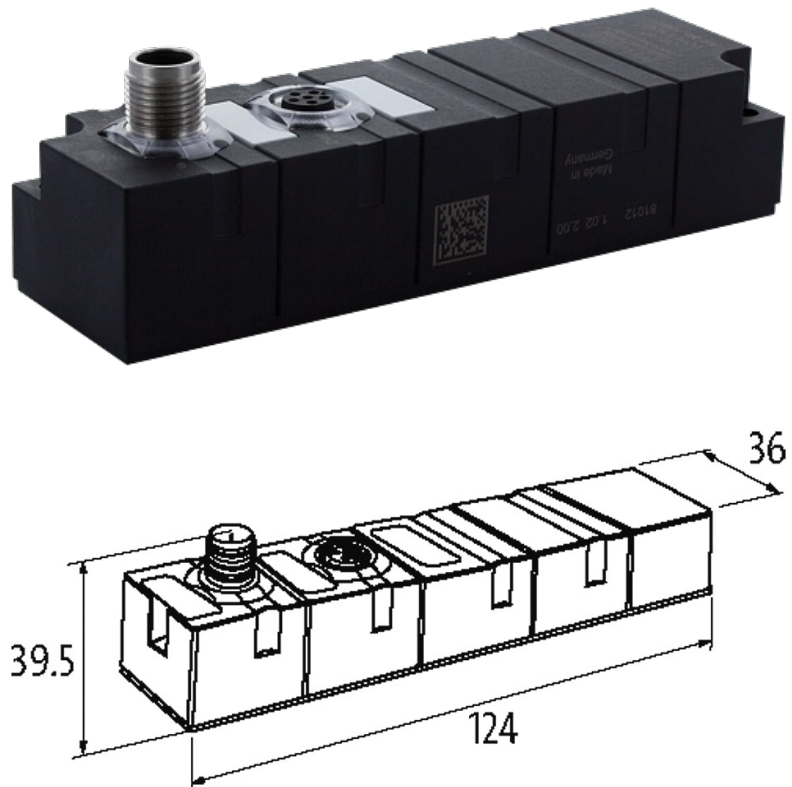
DO32, MAC Valves, D-Sub HD44F 44 pol.,

Expansion module
Cube67 DO32 E - Valve
Multipole plug (0.5 A)
MAC - SUB-D44

Connection cables are in the online shop under "Connection Technology". Housing fully potted.

[Link to Product](#)

Illustration



Product may differ from Image

Internal communication

Current consumption	max. 50 mA
LED display	US: sensor supply and internal supply voltage (green: OK); UA: actuator supply (green: OK)

Connections

Fieldbus	via internal system connection
Sensor-system/actuator supply	via internal system connection (max. 2×4 A)
I/O ports	MAC - SUB-D44

The information in this brochure has been compiled with the utmost care.

Liability for the correctness completeness and topicality of the information is restricted to gross negligence. Version: 03/19

Murrelektronik GmbH | Falkenstraße 3 | 71570 Oppenweiler | Fon +49 (71 91) 47-0 | Fax +49 (71 91) 47-491000 | shop@murrelektronik.com | shop.murrelektronik.com

General data

Protection	IP67
Mounting method	2-hole screw mounting
Temperature range	0...+55 °C (storage temperature -20...+70 °C)
Dimensions H x W x D	124x36x39.5 mm

Output

Actuator supply UA	24 V DC (EN 61131-2)
Switching current per output	max. 0.5 A (short-circuit and overload protected)

Diagnostic

Communication status	via LED
Diagnostic via LED	per module
Diagnostic via BUS	per module and channel
Monitoring - under voltage	yes
Monitoring - no voltage	yes
Short-circuit and overload	yes
Actuator warning	per channel via BUS

Commercial data

country of origin	DE
customs tariff number	85389099
EAN	4048879048361
eClass	27242604
Packaging unit	1