

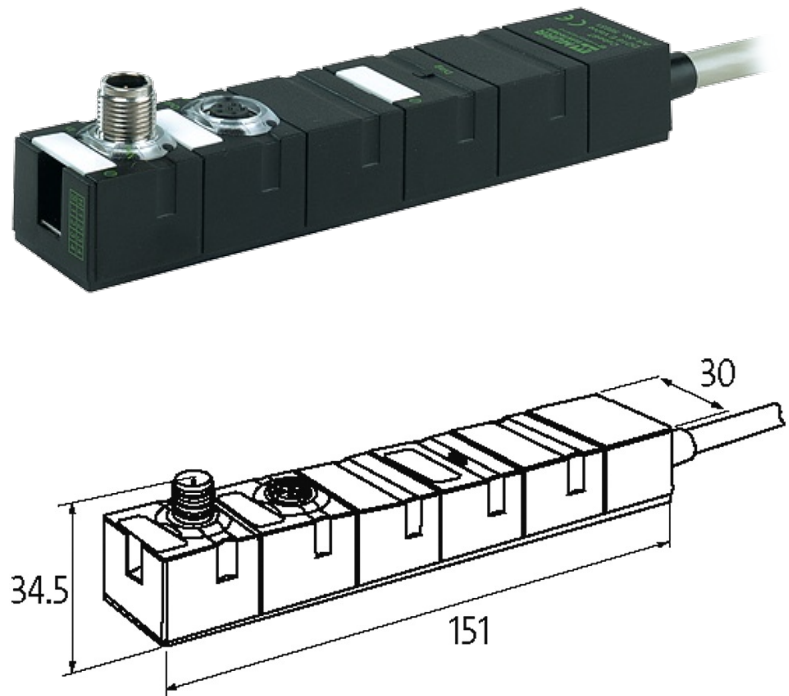
CUBE67 DIO8 E CABLE 2M

Expansion module
 DIO8 - 1.6 A (E) 2 m (open cable)
 With open ended wires
 Digital inputs/outputs (multifunctional)

Connection cables are in the online shop under "Connection Technology". Housing fully potted.

[Link to Product](#)

Illustration



Product may differ from Image

Input

Sensor supply US	24 V DC (EN 61131-2), max. 1.6 A
Type	for 3-wire sensors or mechanical switches, PNP
Input filter	1 ms

Internal communication

Current consumption	max. 30 mA
LED display	US: sensor supply and internal supply voltage (green: OK); UA: actuator supply (green: OK)

Connections

Fieldbus	via internal system connection
Sensor-system/actuator supply	via internal system connection (max. 2×4 A)

I/O ports Open cable

CablesNo./diameter of wires 10 × 0.34 mm²

Material (jacket) PVC

Cable Length 2.0 m

General data

Protection IP67

Mounting method 2-hole screw mounting

Temperature range 0...+55 °C (storage temperature -20...+75 °C)

Dimensions H × W × D 150×30×34.5 mm

Output

Actuator supply UA 24 V DC (EN 61131-2), via system connection (max. 4 A)

Switching current per output max. 60 mA (short-circuit and overload protected)

Parameterization

I/O channels Input/Output

Diagnostic

Communication status via LED

Diagnostic via LED per module

Diagnostic via BUS per module and channel

Monitoring - under voltage yes

Monitoring - no voltage yes

Short-circuit and overload yes

Actuator warning per channel via BUS

Commercial data

country of origin DE

customs tariff number 85444290

EAN 4048879044905

eClass 27242604

Packaging unit 1