

Cube67 I/O Cable-Module, I/O Extension Module

DIO16, Open-End, 0,5m

Expansion module

DIO16 - 0.5 A (E) 0.5 m (open cable)

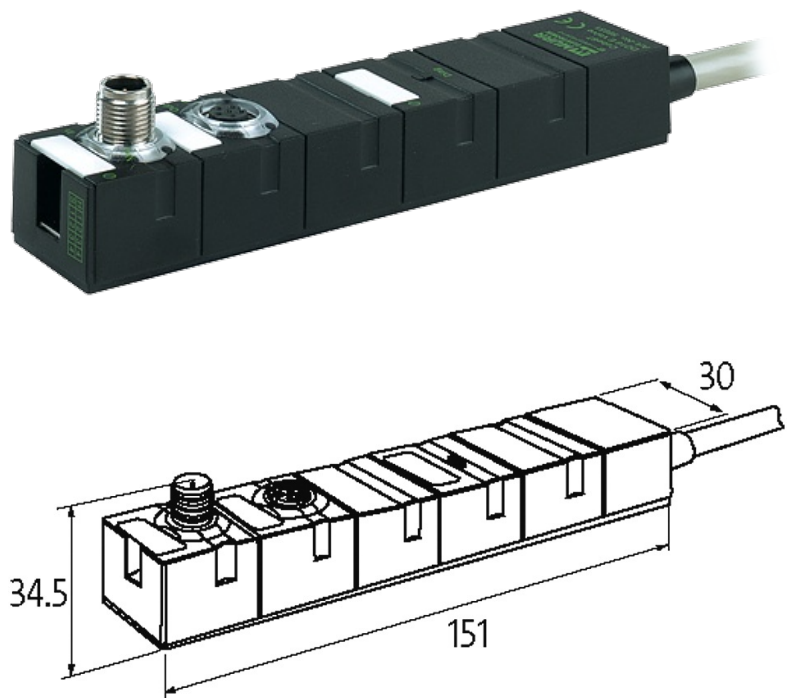
With open ended wires

Digital inputs/outputs (multifunctional)

Connection cables are in the online shop under "Connection Technology". Housing fully potted.

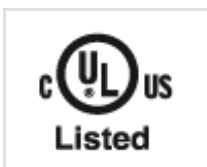
[Link to Product](#)

Illustration



Product may differ from Image

Approvals



Input

Sensor supply US	24 V DC (EN 61131-2), max. 0.5 A
Type	for 3-wire sensors or mechanical switches, PNP
Input filter	1 ms

Internal communication	
Current consumption	max. 30 mA
LED display	US: sensor supply and internal supply voltage (green: OK); UA: actuator supply (green: OK)
Connections	
Fieldbus	via internal system connection
Sensor-system/actuator supply	via internal system connection (max. 2×4 A)
I/O ports	Open cable
Cables	
No./diameter of wires	20 × 0.14 mm ²
Material (jacket)	PVC
Cable Length	0.5 m
General data	
Protection	IP67
Mounting method	2-hole screw mounting
Temperature range	0...+55 °C (storage temperature -20...+75 °C)
Dimensions H × W × D	150×30×34.5 mm
Output	
Actuator supply UA	24 V DC (EN 61131-2), via system connection (max. 4 A)
Switching current per output	max. 0.5 A (short-circuit and overload protected)
Parameterization	
I/O channels	Input/Output
Diagnostic	
Communication status	via LED
Diagnostic via LED	per module
Diagnostic via BUS	per module and channel
Monitoring - under voltage	yes
Monitoring - no voltage	yes
Short-circuit and overload	yes
Actuator warning	per channel via BUS
Commercial data	
country of origin	DE
customs tariff number	85444290
EAN	4048879048330
eClass	27242604
Packaging unit	1