

## Cube67 I/O Cable-Module, I/O Extension Module

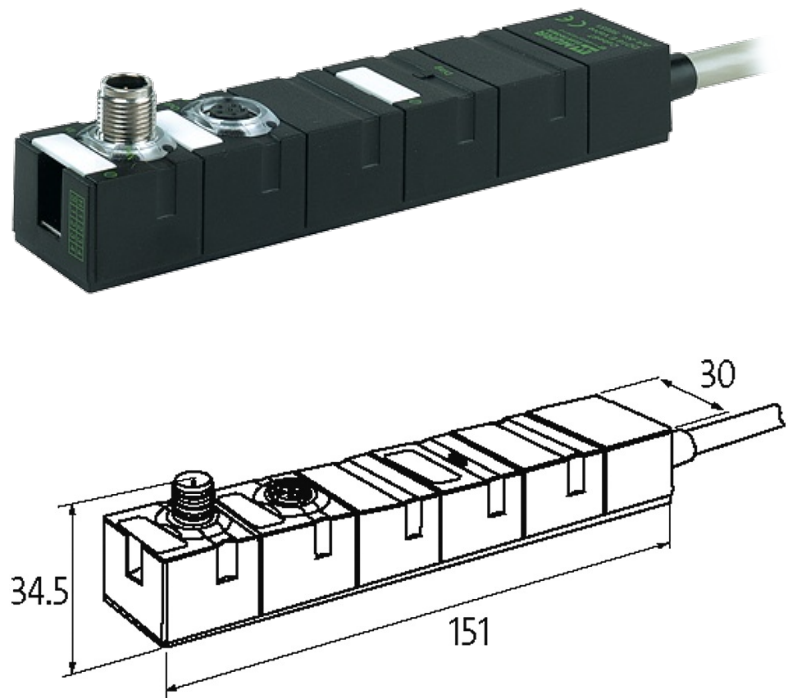
DI16/DO16, Open-End, 0,80m

Expansion module  
With open ended wires

Connection cables are in the online shop under "Connection Technology". Housing fully potted.

### [Link to Product](#)

#### Illustration



Product may differ from Image

#### Input

Sensor supply US	24 V DC (EN 61131-2), max. 0.2 A
Type	for 3-wire sensors or mechanical switches, PNP
Input filter	1 ms

#### Internal communication

Current consumption	max. 50 mA
LED display	US: sensor supply and internal supply voltage (green: OK); UA: actuator supply (green: OK)

#### Connections

Fieldbus	via internal system connection
Sensor-system/actuator supply	via internal system connection (max. 2×4 A)

I/O ports Open cable

**Cables**No./diameter of wires 36 × 0.14 mm<sup>2</sup>

Material (jacket) PVC

Cable Length 0.72 m

**General data**

Protection IP67

Mounting method 2-hole screw mounting

Temperature range 0...+55 °C (storage temperature -20...+75 °C)

Dimensions H × W × D 150×30×34.5 mm

**Output**

Actuator supply UA 24 V DC (EN 61131-2), via system connection (max. 4 A)

Switching current per output max. 0.5 A (short-circuit and overload protected)

**Diagnostic**

Communication status via LED

Diagnostic via LED per module

Diagnostic via BUS per module and channel

Monitoring - under voltage yes

Monitoring - no voltage yes

Short-circuit and overload yes

Actuator warning per channel via BUS

**Commercial data**

country of origin DE

customs tariff number 85444290

EAN 4048879366502

eClass 27242604

Packaging unit 1