

TERMINAL MODULE CUBE 67 IP67

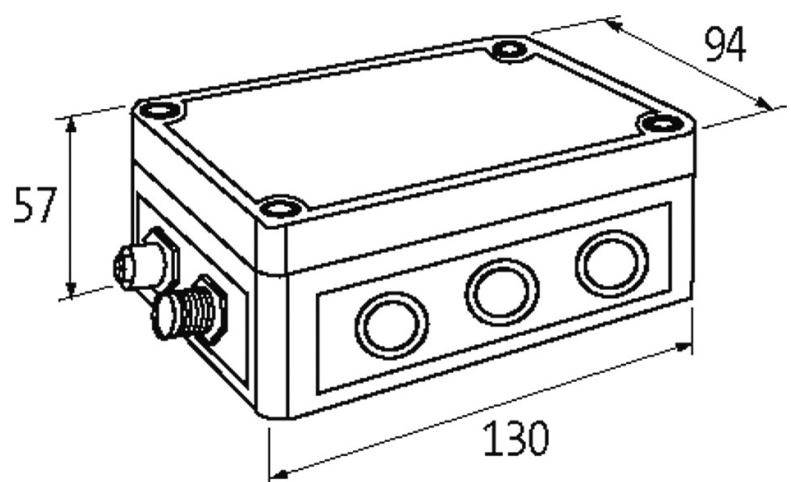
8 digital inputs, 8 multifunction channels, PK

Terminal module
DIO8/DI8 - (E) TB-Box
with additional potential terminals

Connection cables are in the online shop under "Connection Technology".

[Link to Product](#)

Illustration



Product may differ from Image

Input

Sensor supply US	24 V DC (EN 61131-2), max. 8 × 200 mA
Type	for 3-wire sensors or mechanical switches, PNP

Input filter	1 ms
--------------	------

Internal communication

Current consumption	max. 50 mA
---------------------	------------

LED display	US: sensor supply and internal supply voltage (green: OK); UA: actuator supply (green: OK)
-------------	--

Connections

Fieldbus	via internal system connection
----------	--------------------------------

Sensor-system/actuator supply	via internal system connection (max. 2×4 A)
-------------------------------	---

I/O ports	16 × spring clamp plug-in terminals, max. 2.5 mm ²
-----------	---

General data

Protection	IP66
------------	------

Mounting method	screw fixing
-----------------	--------------

Temperature range	0...+55 °C (storage temperature -20...+75 °C)
-------------------	---

Dimensions H × W × D	130×94×57 mm
----------------------	--------------

Output

Actuator supply UA	24 V DC (EN 61131-2), via system connection (max. 4 A)
--------------------	--

Switching current per output	max. 0.5 A (short-circuit and overload protected)
------------------------------	---

Lamp load	10 W
-----------	------

Parameterization

Terminal row X0 (8 channels)	Input
------------------------------	-------

Terminal row X1 (8 channels)	Input/Output
------------------------------	--------------

Diagnostic

Communication status	via LED
----------------------	---------

Diagnostic via LED	per module and channel
--------------------	------------------------

Diagnostic via BUS	per module and channel
--------------------	------------------------

Monitoring - under voltage	yes
----------------------------	-----

Monitoring - no voltage	yes
-------------------------	-----

Short-circuit and overload	yes
----------------------------	-----

Actuator warning	per channel via LED and BUS
------------------	-----------------------------

Commercial data

country of origin	DE
-------------------	----

customs tariff number	85176200
-----------------------	----------

EAN	4048879044844
-----	---------------

eClass	27242604
--------	----------

Packaging unit	1
----------------	---