

CUBE67 I/O COMPACT MODULE

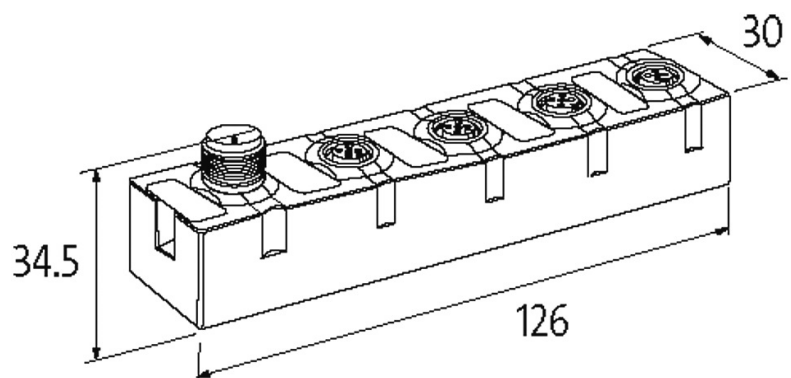
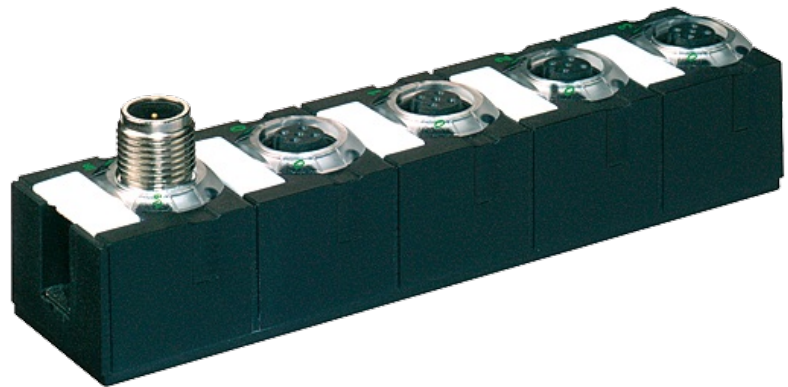
4 analog outputs (U)

Compact module
AO4 - (C) 4xM12 (U)
Voltage

Connection cables are in the online shop under "Connection Technology". Housing fully potted.

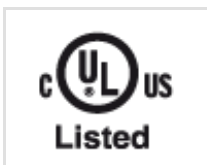
[Link to Product](#)

Illustration



Product may differ from Image

Approvals



Internal communication

Current consumption max. 50 mA

LED display US: sensor supply and internal supply voltage (green: OK); UA:

The information in this brochure has been compiled with the utmost care.

Liability for the correctness completeness and topicality of the information is restricted to gross negligence. Version: 03/19

Murrelektronik GmbH | Falkenstraße 3 | 71570 Oppenweiler | Fon +49 (71 91) 47-0 | Fax +49 (71 91) 47-491000 | shop@murrelektronik.com | shop.murrelektronik.com

LED display

actuator supply (green: OK)

Connections

Fieldbus	via internal system connection
Sensor-system/actuator supply	via internal system connection (max. 2×4 A)
I/O ports	M12 (female) 5-pole, A-coded

General data

Protection	IP67
Mounting method	2-hole screw mounting
Temperature range	0...+55 °C (storage temperature -20...+75 °C)
Dimensions H × W × D	126×30×34.5 mm

Output

Supply voltage	24 V DC (EN 61131-2), via system connection (max. 4 A)
Conversion time (analog)	approx. 1 ms (per channel)
Actuator supply UA	24 V DC (EN 61131-2), max. 1.6 A (M12 female), short-circuit and overload protected
Resolution (analog)	11 Bit + sign
Accuracy	max. ±0.5% (of range limit)

Diagnostic

Communication status	via LED
Diagnostic via LED	per module and channel
Diagnostic via BUS	per module and channel
Monitoring - under voltage	yes
Monitoring - no voltage	yes
Short-circuit and overload	yes
Actuator warning	per channel via LED and BUS
Wire break upper/lower limit overload	per channel via LED and BUS

Voltage output signals

Load	min. 500 Ω
Input range	±10 V DC, 0...10 V DC

Commercial data

country of origin	DE
customs tariff number	85389099
EAN	4048879048248
eClass	27242601
Packaging unit	1