

CUBE67 I/O EXTENSION MODULE

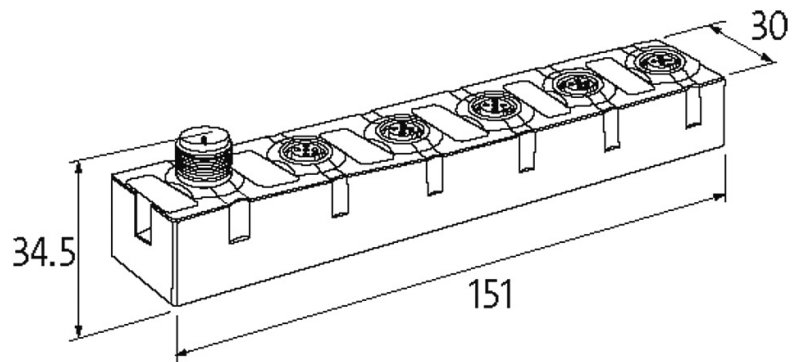
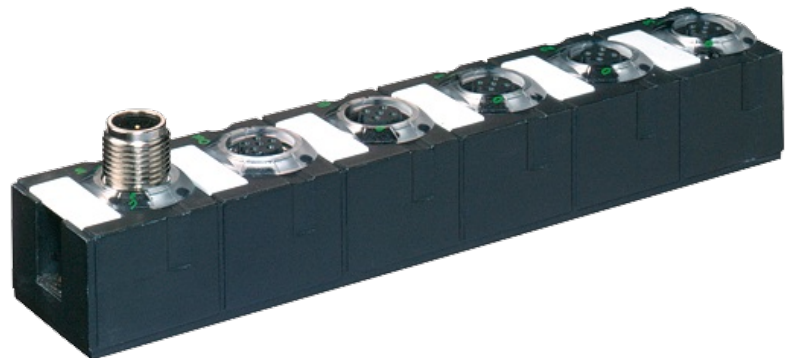
4 analog inputs (I)

Expansion module
AI4 - (E) 4×M12 (I)
Current

Connection cables are in the online shop under "Connection Technology". Housing fully potted.

[Link to Product](#)

Illustration



Product may differ from Image

Input

Conversion time (analog)	approx. 2 ms (per channel)
Sensor supply US	24 V DC (EN 61131-2), max. 200 mA (M12 female), short-circuit and overload protected
Resolution (analog)	15 Bit
Accuracy	max. $\pm 0.5\%$ (of range limit)

Internal communication

Current consumption	max. 50 mA
LED display	US: sensor supply and internal supply voltage (green: OK); UA:

LED display

actuator supply (green: OK)

Connections

Fieldbus	via internal system connection
Sensor-system/actuator supply	via internal system connection (max. 2×4 A)
I/O ports	M12 (female) 5-pole, A-coded

General data

Protection	IP67
Mounting method	2-hole screw mounting
Temperature range	0...+55 °C (storage temperature -20...+75 °C)
Dimensions H × W × D	150×30×34.5 mm

Current input signals

Load	approx. 300 Ω, differential input
Input range	0...20 mA, 4...20 mA

Diagnostic

Communication status	via LED
Diagnostic via LED	per module and channel
Diagnostic via BUS	per module and channel
Monitoring - under voltage	yes
Monitoring - no voltage	yes
Short-circuit and overload	yes
Actuator warning	per channel via LED and BUS
Wire break upper/lower limit overload	per channel via LED and BUS

Commercial data

country of origin	DE
customs tariff number	85389099
EAN	4048879288057
eClass	27242601
Packaging unit	1