

## CUBE67 I/O COMPACT MODULE

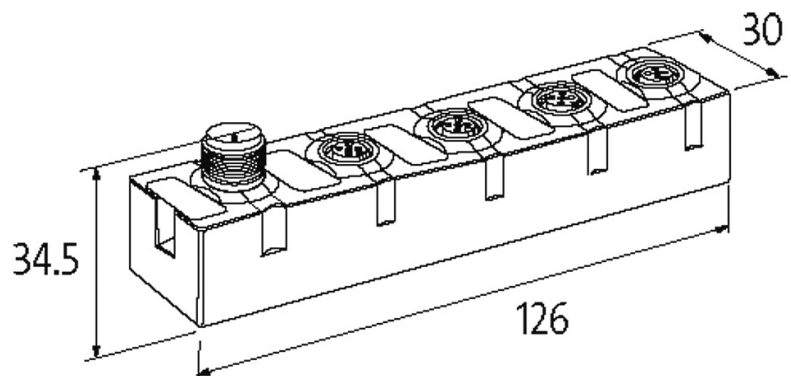
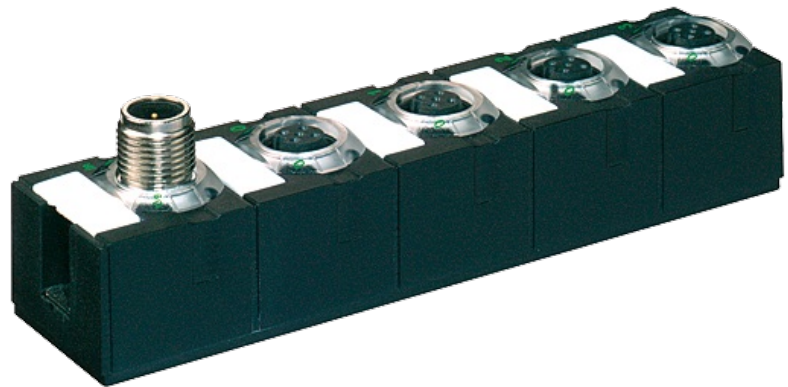
4 analog inputs (TH)

Compact module  
AI4 - (C) 4×M12 (TH)  
for thermo elements

Connection cables are in the online shop under "Connection Technology". Housing fully potted.

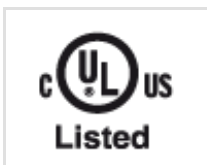
### [Link to Product](#)

#### Illustration



Product may differ from Image

#### Approvals



#### Input

Sensor type	K, N, J, E, R
Conversion time (analog)	approx. 65 ms per channel

The information in this brochure has been compiled with the utmost care.

Liability for the correctness completeness and topicality of the information is restricted to gross negligence. Version: 03/19

Murrelektronik GmbH | Falkenstraße 3 | 71570 Oppenweiler | Fon +49 (71 91) 47-0 | Fax +49 (71 91) 47-491000 | shop@murrelektronik.com | shop.murrelektronik.com

Resolution (analog)	15 Bit + sign
Accuracy	max. $\pm 0.5\%$ (of range limit)
Connection	2-wire technology
Cold junction compensation	inside M12 connector
<b>Internal communication</b>	
Current consumption	max. 50 mA
LED display	US: sensor supply and internal supply voltage (green: OK); UA: actuator supply (green: OK)
<b>Connections</b>	
Fieldbus	via internal system connection
Sensor-system/actuator supply	via internal system connection (max. 2x4 A)
I/O ports	M12 (female) 5-pole, A-coded
<b>General data</b>	
Protection	IP67
Mounting method	2-hole screw mounting
Temperature range	0...+55 °C (storage temperature -20...+75 °C)
Dimensions H x W x D	126x30x34.5 mm
<b>Diagnostic</b>	
Communication status	via LED
Diagnostic via LED	per module and channel
Diagnostic via BUS	per module and channel
Monitoring - under voltage	yes
Monitoring - no voltage	yes
Short-circuit and overload	yes
Actuator warning	per channel via LED and BUS
Wire break upper/lower limit overload	per channel via LED and BUS
<b>Commercial data</b>	
country of origin	DE
customs tariff number	85389099
EAN	4048879048194
eClass	27242601
Packaging unit	1