

CUBE67 I/O EXTENSION MODULE

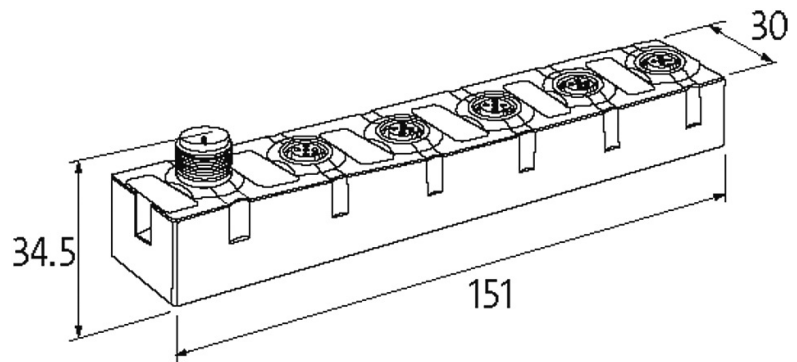
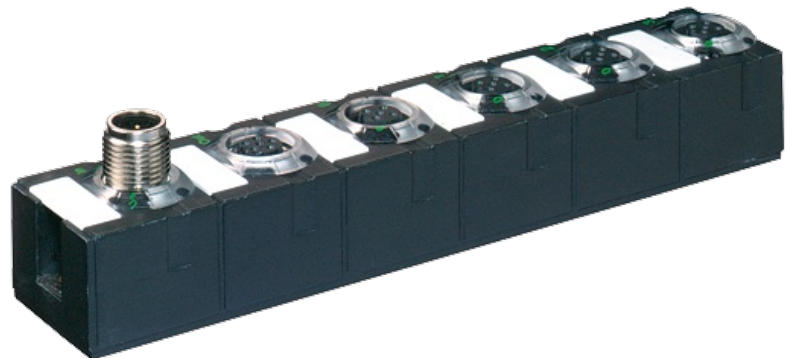
4 analog inputs (TH)

Expansion module
AI4 - (E) 4×M12 (TH)
for thermo elements

Connection cables are in the online shop under "Connection Technology". Housing fully potted.

[Link to Product](#)

Illustration



Product may differ from Image

Input

Sensor type	K, N, J, E, R
Conversion time (analog)	approx. 65 ms per channel
Resolution (analog)	15 Bit + sign
Accuracy	max. $\pm 0.5\%$ (of range limit)
Connection	2-wire technology
Cold junction compensation	inside M12 connector

Internal communication

Current consumption	max. 50 mA
LED display	US: sensor supply and internal supply voltage (green: OK); UA: actuator supply (green: OK)

Connections

Fieldbus	via internal system connection
Sensor-system/actuator supply	via internal system connection (max. 2×4 A)
I/O ports	M12 (female) 5-pole, A-coded

General data

Protection	IP67
Mounting method	2-hole screw mounting
Temperature range	0...+55 °C (storage temperature -20...+75 °C)
Dimensions H × W × D	150×30×34.5 mm

Diagnostic

Communication status	via LED
Diagnostic via LED	per module and channel
Diagnostic via BUS	per module and channel
Monitoring - under voltage	yes
Monitoring - no voltage	yes
Short-circuit and overload	yes
Actuator warning	per channel via LED and BUS
Wire break upper/lower limit overload	per channel via LED and BUS

Commercial data

country of origin	DE
customs tariff number	85389099
EAN	4048879048187
eClass	27242601
Packaging unit	1