

## CUBE67+ I/O EXTENSION MODULE

4 multif. channels + RS232//422/485/MOVIMOT

Expansion module

DIO4 - (E) RS232/485 (4×M12) MOVIMOT®

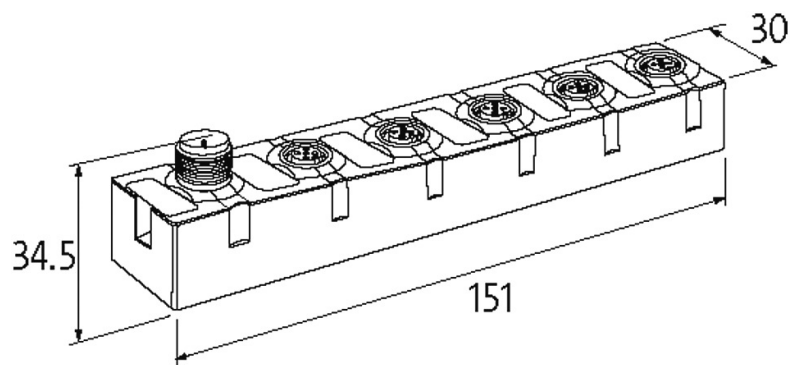
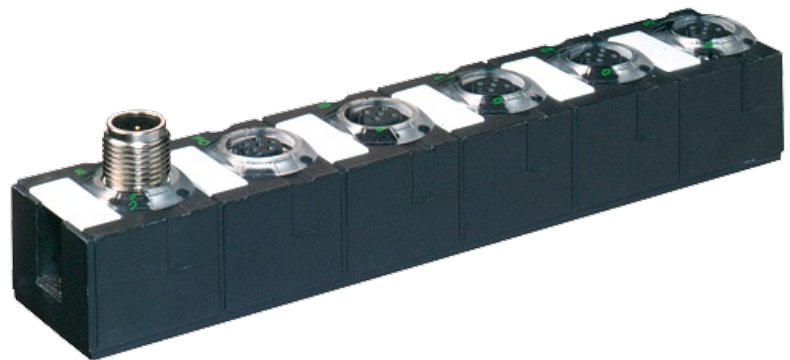
Serial interface

Digital inputs/outputs (multifunctional)

Connection cables are in the online shop under "Connection Technology". Housing fully potted. Cube67+ modules can only be operated on Cube67+, EtherNet/IP, PROFIBUS + PROFINET bus nodes.

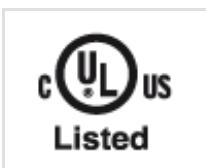
### [Link to Product](#)

#### Illustration



Product may differ from Image

#### Approvals



#### Input

Supply voltage

24 V DC (EN 61131-2), max. 200 mA (M12 female), short-circuit

sensor supply UB	and overload protected
Type	for 3-wire sensors or mechanical switches, PNP
Input filter	1 ms
<b>Internal communication</b>	
Current consumption	max. 80 mA
LED display	US: sensor supply and internal supply voltage (green: OK); UA: actuator supply (green: OK)
<b>Connections</b>	
Fieldbus	via internal system connection
Sensor-system/actuator supply	via internal system connection (max. 2×4 A)
I/O ports	M12 (female) 5-pole, A-coded
<b>Technical Data</b>	
Transfer parameters	RS232: 230.4 kBaud, full duplex; RS485: 230.4 kBaud, half duplex
RS232-Type	galvanically separated, M12 female 5-pole, B-coded
RS485-Type	galvanically separated, M12 female 5-pole, B-coded
<b>General data</b>	
Protection	IP67
Mounting method	2-hole screw mounting
Temperature range	0...+55 °C (storage temperature -20...+75 °C)
Compatible with:	56521; 56526
Dimensions H × W × D	151×30×34.5 mm
<b>Output</b>	
Actuator supply UA	24 V DC (EN 61131-2), via system connection (max. 4 A)
Switching current per output	max. 0.5 A (short-circuit and overload protected)
Lamp load	10 W
<b>Parameterization</b>	
PIN 2	Input/Output/Diagnostic
PIN 4	Input/Output
<b>Diagnostic</b>	
Communication status	via LED
Diagnostic via LED	per module and channel
Diagnostic via BUS	per module and channel
Monitoring - under voltage	yes
Monitoring - no voltage	yes
Short-circuit and overload	yes
Actuator warning	per channel via LED and BUS
<b>Commercial data</b>	
country of origin	DE
customs tariff number	85389099

EAN	4048879048132
eClass	27242604
Packaging unit	1