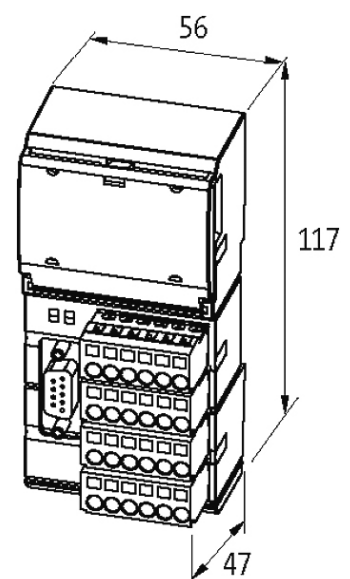


IMPACT20 PROFIBUS, DIGITAL INPUT MODULE

16 digital inputs

Digital inputs
DI16

Connection cables are in the online shop under "Connection Technology".

[Link to Product](#)**Illustration**

Product may differ from Image

Approvals

The information in this brochure has been compiled with the utmost care.

Liability for the correctness completeness and topicality of the information is restricted to gross negligence. Version: 03/19

Murrelektronik GmbH | Falkenstraße 3 | 71570 Oppenweiler | Fon +49 (71 91) 47-0 | Fax +49 (71 91) 47-491000 | shop@murrelektronik.com | shop.murrelektronik.com



More Info



Input

Sensor supply US	24 V DC (EN 61131-2), max. 700 mA per module, short-circuit and overload protected
Type	for 3-wire sensors or mechanical switches, PNP

Connections

Fieldbus	PROFIBUS 12 Mbit/s; SUB-D9
Sensor-system/actuator supply	6 × spring clamp plug-in terminals, max. 2.5 mm ² (max. 12 A)
I/O ports	18 × spring clamp plug-in terminals, max. 2.5 mm ² (max. 12 A)

PROFIBUS

Addressing	Rotary switch 3...99
------------	----------------------

Module supply

Operating voltage	24 V DC (EN 61131-2)
-------------------	----------------------

General data

Protection	IP20
Mounting method	DIN-rail mountable (EN 60715)
Temperature range	0...+55 °C (storage temperature -20...+70 °C)
Dimensions H × W × D	117×56×47 mm

Diagnostic

Communication status	via LED
Diagnostic via LED	per module
Diagnostic via BUS	per module
Monitoring - under voltage	yes
Monitoring - no voltage	yes
Short-circuit and overload	yes

Commercial data

country of origin	DE
customs tariff number	85389099
EAN	4048879048101
eClass	27242604
Packaging unit	1