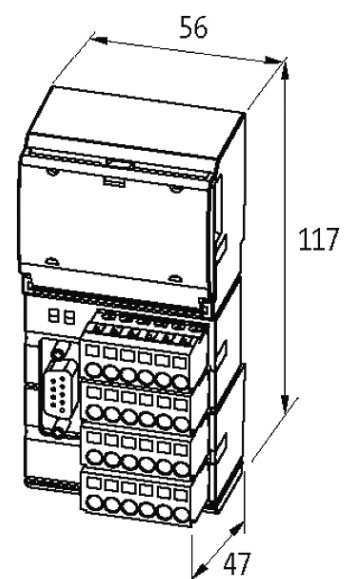


**IMPACT20 PROFIBUS, DIGITAL OUTPUT MODULE**

16 digital outputs

Digital outputs  
DO16 - 0.5 A

Connection cables are in the online shop under "Connection Technology".

[Link to Product](#)**Illustration**

Product may differ from Image

**Approvals**

The information in this brochure has been compiled with the utmost care.

Liability for the correctness completeness and topicality of the information is restricted to gross negligence. Version: 03/19

Murrelektronik GmbH | Falkenstraße 3 | 71570 Oppenweiler | Fon +49 (71 91) 47-0 | Fax +49 (71 91) 47-491000 | shop@murrelektronik.com | shop.murrelektronik.com



### More Info



### Connections

Fieldbus	PROFIBUS 12 Mbit/s; SUB-D9
Sensor-system/actuator supply	6 × spring clamp plug-in terminals, max. 2.5 mm <sup>2</sup> (max. 12 A)
I/O ports	18 × spring clamp plug-in terminals, max. 2.5 mm <sup>2</sup> (max. 12 A)

### PROFIBUS

Addressing	Rotary switch 3...99
------------	----------------------

### Module supply

Operating voltage	24 V DC (EN 61131-2)
-------------------	----------------------

### General data

Protection	IP20
Mounting method	DIN-rail mountable (EN 60715)
Temperature range	0...+55 °C (storage temperature -20...+70 °C)
Dimensions H × W × D	117×56×47 mm

### Output

Switching current per output	max. 0.5 A (short-circuit and overload protected)
Total current	max. 8 A

### Diagnostic

Communication status	via LED
Diagnostic via LED	per module and channel
Diagnostic via BUS	per module and channel
Monitoring - under voltage	yes
Monitoring - no voltage	yes
Short-circuit and overload	yes

### Commercial data

country of origin	DE
customs tariff number	85389099
EAN	4048879048088
eClass	27242604
Packaging unit	1