

MPR67 REPEATER PROFIBUS DP 2 SEGMENTS

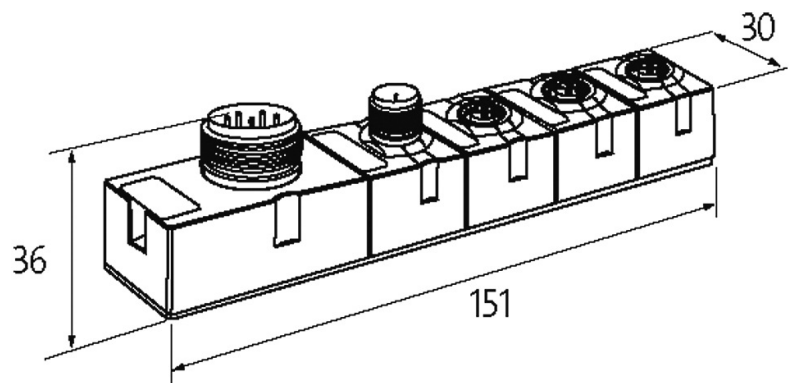
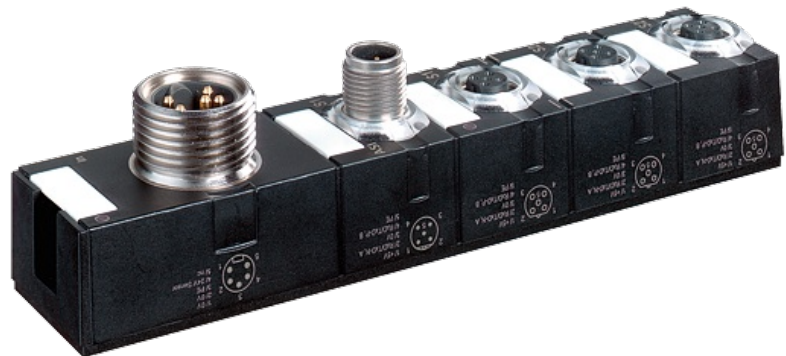
Upto 12 Mbit/s, IP67

Repeater PROFIBUS DP + PROFIsafe
2 segments
Protection IP67

Connection cables are in the online shop under "Connection Technology". Housing fully potted.

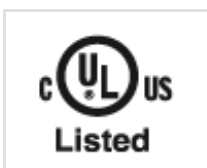
[Link to Product](#)

Illustration



Product may differ from Image

Approvals



Technical Data

Operating voltage	24 V DC (EN 61131-2)
Module supply	via PIN 4 sensor supply (7/8" power)

Current consumption	approx. 80 mA
---------------------	---------------

Transfer rate	max. 12 Mbit/s
---------------	----------------

General data

Protection	IP67
------------	------

Mounting method	2-hole screw mounting
-----------------	-----------------------

Temperature range	0...+55 °C (storage temperature -20...+75 °C)
-------------------	---

Dimensions H x W x D	151x30x34.5 mm
----------------------	----------------

Diagnostic

Communication status	via LED
----------------------	---------

Commercial data

country of origin	DE
-------------------	----

customs tariff number	85176200
-----------------------	----------

EAN	4048879047845
-----	---------------

eClass	27242690
--------	----------

Packaging unit	1
----------------	---