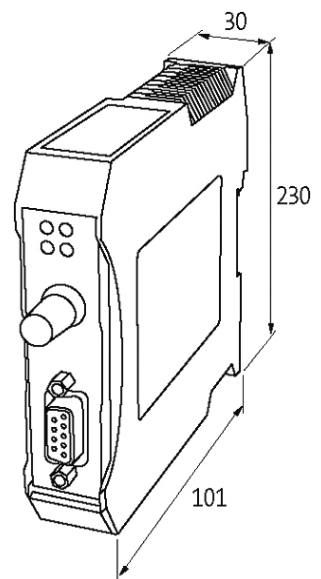


MIRO BT DP 1,5 S-4

Bluetooth Slave Profibus-DP 1,5 Mbit/s max. 4 participants

PROFIBUS
Radio Slave Module
1.5 Mbit/s[Link to Product](#)**Illustration**

Product may differ from Image

Connections

Fieldbus SUB-D, 9-pole

Technical Data

Operating voltage	9...33 V DC
Frequency	2.4 GHz Bluetooth
Current consumption	200 mA (24 V DC)
Transfer rate	1.5 Mbit/s

General data

Standards	approved in: BE, DK, DE, EE, FI, FR (restricted), GR, GB, IE, IS, IT, CA, LV, LT, LU, MT, NL, NO (without Spitzbergen), AT, PL, PT, SE, CH, SK, SI, ES, CZ, HU, US, CY
Housing	Black plastic
Protection	IP54
Dimensions H x W x D	230x101x30 mm
Connection	Screw terminals: max. 2.5 mm ² (AWG 14)
Mounting method	DIN-rail mountable TH35 (EN 60715)
Temperature range	-20...+60 °C (storage temperature -40...+75 °C)

Commercial data

country of origin	DE
customs tariff number	85176200
EAN	4048879364980
Packaging unit	1