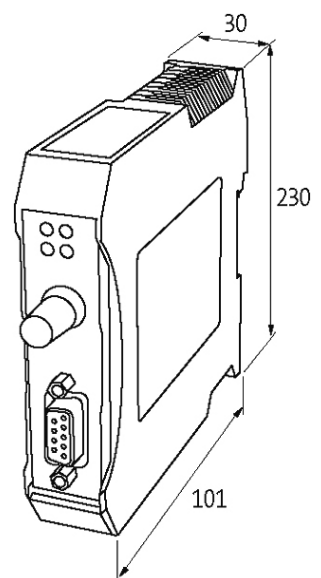


**MIRO BT DP 0,1875 S-4**

Bluetooth Slave Profibus-DP 0,1875 MBit/s max. 4 participants

PROFIBUS  
Radio Slave Module  
187.5 kbit/s

Connection cables are in the online shop under "Connection Technology".

[Link to Product](#)**Illustration**

Product may differ from Image

### Connections

Fieldbus SUB-D, 9-pole

### Technical Data

Operating voltage 9...33 V DC

Frequency 2.4 GHz Bluetooth

Current consumption 200 mA (24 V DC)

Transfer rate 187.5 kbit/s

### General data

Standards approved in: BE, DK, DE, EE, FI, FR (restricted), GR, GB, IE, IS, IT, CA, LV, LT, LU, MT, NL, NO (without Spitzbergen), AT, PL, PT, SE, CH, SK, SI, ES, CZ, HU, US, CY

Housing Black plastic

Protection IP54

Dimensions H x W x D 230x101x30 mm

Connection Screw terminals: max. 2.5 mm<sup>2</sup> (AWG 14)

Mounting method DIN-rail mountable TH35 (EN 60715)

Temperature range -20...+60 °C (storage temperature -40...+75 °C)

### Commercial data

country of origin DE

customs tariff number 85176200

EAN 4048879365147

Packaging unit 1