

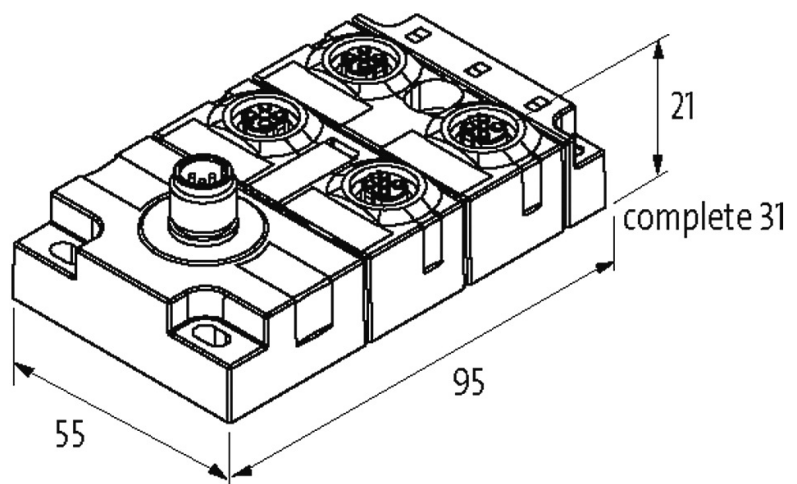
Tree 4TX IP67 Metal - Unmanaged Switch - 4xM12

4 port unmanaged switch

Connection cables are in the online shop under "Connection Technology".

[Link to Product](#)

Illustration



Product may differ from Image

Approvals



Connections

Fieldbus	4 × M12 (female), D-coded
Supply	1 × M12 (male), A-coded

Technical Data

Operating voltage	2 × 18...30 V DC, redundancy
-------------------	------------------------------

Transfer rate	10/100 Mbit/s full duplex
Operating modes	Autocrossing Autonegotiation

Switch Management

Switch Form	Unmanaged Switch
Websserver	no
VLAN (QoS) IEEE 802.p	yes
Port Mirroring	no
Protocols	no
Remote maintenance	no
Alarm contact	no

General data

Protection	IP67
Housing	Zinc die casting, matte nickel plated
Mounting method	4 hole screw mounting
Temperature range	-25...+60 °C (storage temperature -40...+80 °C)
Dimensions H x W x D	95x55x31 mm

Diagnostic

Communication status	via LED
Monitoring - no voltage	yes

Commercial data

country of origin	DE
customs tariff number	85176200
EAN	4048879469135
eClass	19170106
Packaging unit	1