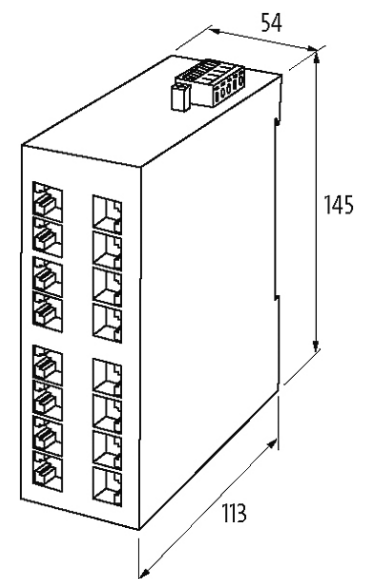


TREE 16 TX Metall 2GE 14 FE - Unmanaged Gigabit Switch - 16 Ports/

TREE 16 TX Metall 2GE 14 FE - Unmanaged Gigabit Switch - 16 ports

16 port unmanaged switch

Connection cables are in the online shop under "Connection Technology".

[Link to Product](#)**Illustration**

Product may differ from Image

Approvals



Input

Input current max. 0.8 A

Connections

Fieldbus 16 × RJ45 (14 × 100 Mbit/s, 2 × 1 000 Mbit/s)

Supply Screw plug-in terminal: 0.2...1.5 mm²

Technical Data

Operating voltage 2 × 9...48 V DC, redundancy

Transfer rate 10/100/1 000 Mbit/s full duplex

Input current 7.4 W

Operating modes Autocrossing Autonegotiation

Switch Management

Switch Form Unmanaged Switch

Webserver no

VLAN (QoS) IEEE 802.p yes

Port Mirroring no

Protocols PROFINET/Ethernet/Ethernet/IP

Remote maintenance no

Alarm contact no

General data

Protection IP30

Housing Metal black

Mounting method DIN-rail mountable TH35 (EN 60715)

Temperature range 0...+70 °C (storage temperature -20...+70 °C)

Dimensions H × W × D 145×54×113 mm

Diagnostic

Communication status via LED

Monitoring - no voltage yes

Commercial data

country of origin TW

customs tariff number 85176200

EAN 4048879762076

eClass 19170106

Packaging unit 1