

TREE M-5TX IP67 Lite managed Switch 5 Ports

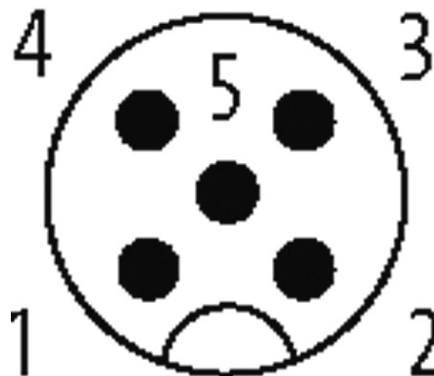
5x10/100BT IP67

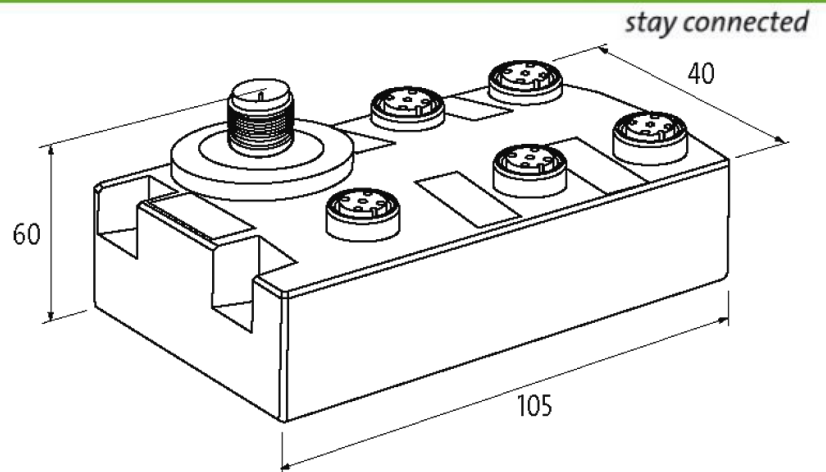
5 port managed switch
Supply PIN 1/3

Connection cables are in the online shop under "Connection Technology".

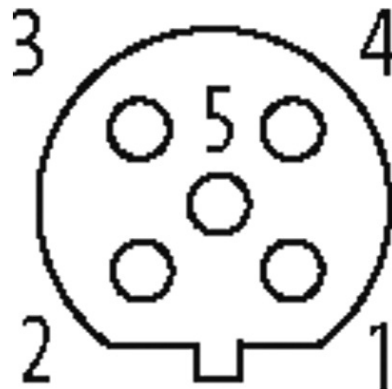
[Link to Product](#)**Illustration**

Male





Female



Product may differ from Image

Connections

Fieldbus	5 × M12 (female), D-coded
Supply	1 × M12 (male), A-coded

Technical Data

Operating voltage	9.5...31.5 V
Transfer rate	10/100 Mbit/s full duplex
Operating modes	Autocrossing Autonegotiation

Switch Management

Switch Form	Lite - Managed Switch
Webserver	HTTP, HTTPS
VLAN (QoS) IEEE 802.p	yes
Port Mirroring	yes
Protocols	DHCP, SNMP (v1, v2c, v3), RSTP, STP, LLDP, NTP, RMON, SSH (CLI)
Remote maintenance	Open VPN
Alarm contact	no

General data

Protection	IP67
Housing	Black plastic
Mounting method	3 hole screw mounting
Temperature range	0...+60 °C (storage temperature -40...+85 °C)
Dimensions H x W x D	105x60x40 mm

Diagnostic

Communication status	via LED, LLDP
Monitoring - no voltage	yes

Commercial data

country of origin	DE
customs tariff number	85176200
EAN	4048879718301
eClass	19170106
Packaging unit	1