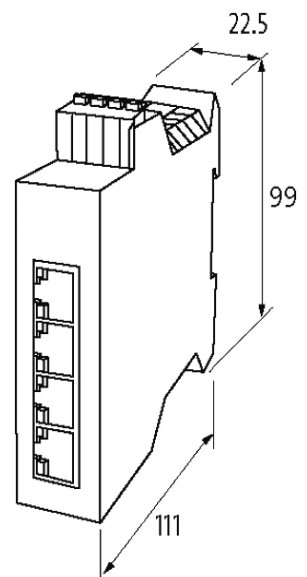


TREE PROFINET managed Switch 4x10/100BT IP20 plastic RJ45

4 ports
PROFINET - Managed Switch

Connection cables are in the online shop under "Connection Technology".

[Link to Product](#)**Illustration**

Product may differ from Image

More Info



Connections

Fieldbus	4 × RJ45
Supply	Spring clamp plug-in terminal: 0.2...2.5 mm ²

Technical Data

Operating voltage	9.5...31.5 V
Transfer rate	10/100 Mbit/s full duplex
Operating modes	Autocrossing Autonegotiation

Switch Management

Switch Form	PROFINET - Managed Switch
Webserver	HTTP, HTTPS
VLAN (QoS) IEEE 802.p	yes
Port Mirroring	yes
Protocols	DHCP, SNMP (v1, v2c, v3), RSTP, STP, LLDP, NTP, RMON, SSH (CLI)
Remote maintenance	Open VPN
Alarm contact	no

General data

Protection	IP20
Housing	Black plastic
Mounting method	DIN-rail mountable (EN 50022)
Temperature range	0...+60 °C (storage temperature -40...+85 °C)
Dimensions H × W × D	111×22.5×99 mm

PROFINET

Addressing	DCP
FSU (Fast-Start-Up)	no
Shared Device/Input	no
PROFINET Netload Class	I
Specification	V2.3, Conformance Class B
MRP	yes

Diagnostic

Communication status	via LED, LLDP
Monitoring - no voltage	yes

Commercial data

country of origin	DE
customs tariff number	85176200
EAN	4048879720328

eClass	19170106
Packaging unit	1
