

## MVP12 plastic DI8 DO8 IOL

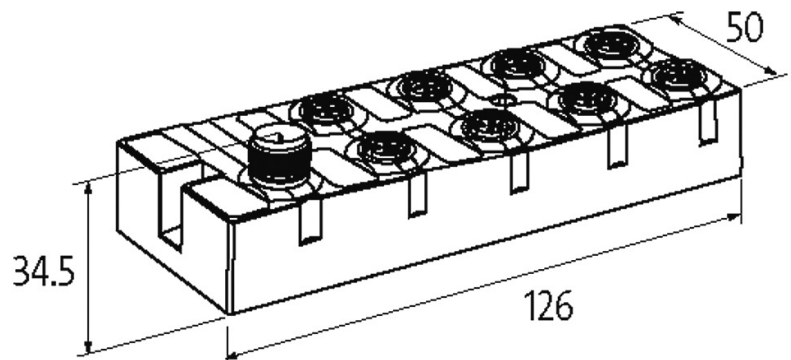
IO-Link Version 1.1

Compact module  
IO-Link V1.1

Connection cables are in the online shop under "Connection Technology". Housing fully potted.

### [Link to Product](#)

#### Illustration



Product may differ from Image

#### More Info



#### Input

Sensor supply US

24 V DC (EN 61131-2), max. 100 mA (M12 female), short-circuit and overload protected

Type

PNP (EN 61131-2) Type 3

Input filter	1 ms
Input delay time	max. 8 ms (incl. IO-Link cycle time)
<b>Internal communication</b>	
Current consumption	max. 35 mA
LED display	US-IOL: sensor supply-IOL (green: OK); UA: actuator supply (green: OK)
<b>General data</b>	
Protection	IP67
Mounting method	2-hole screw mounting
Temperature range	-25...+70 °C (storage temperature -40...+70 °C)
Dimensions H x W x D	126x50x34.5 mm
<b>IO-Link</b>	
IO-Link	Device
Operating modes	COM2 (38.4 kBaud)
Transfer parameters	1 Byte (inputs), 1 Byte (outputs), 2 Byte (diagnostic)
Port Class	B
Specification	IO-Link V1.1
Cycle time	2.3 ms
<b>Output</b>	
Actuator supply UA	24 V DC (EN 61131-2), max. 4 A
Switching current per output	max. 0.4 A (short-circuit and overload protected)
<b>Parameterization</b>	
PIN 2	Input (port 0...3); Output (port 4...7)
PIN 4	Input (port 0...3); Output (port 4...7)
<b>Diagnostic</b>	
Communication status	via LED
Diagnostic via LED	per module and channel
Diagnostic via BUS	per module
Monitoring - under voltage	yes
Monitoring - no voltage	yes
Short-circuit and overload	yes
<b>Commercial data</b>	
country of origin	DE
customs tariff number	85369010
EAN	4048879695695
eClass	27242604
Packaging unit	1