

Inductive coupler IO-Link V1.1 secondary cable with female M12 M30

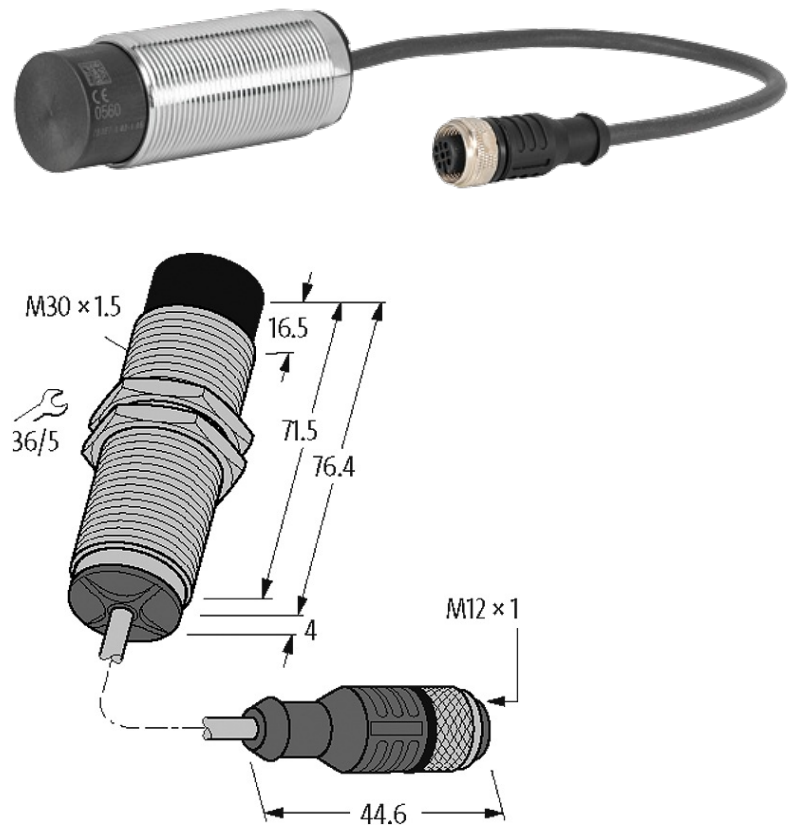
Port Class A

IO-Link Coupler (sec.)
M12 (4-pole)
Connection cable 0.3 m
IO-Link V1.1

Connection cables are in the online shop under "Connection Technology".

[Link to Product](#)

Illustration



Product may differ from Image

More Info



Connections

IO-Link

M12 (female) 4-pole, A-coded

Output (sec.)

Operating voltage	24 V DC \pm 10%
Output current	500 mA
Highest current	2.4 A (0.1 ms); 10 A (0.02 ms)

Technical Data

Nominal distance	0...7 mm (prim./sec.)
Standby power (coupled)	4 W
Standby power (uncoupled)	1 W
Start-/coupling time	10 ms
Standby time	160 ms
Short-circuit protection	yes
Invers-polarity protection	yes
Rotation	1 250 rpm

General data

Protection	IP67/IP68
Material (housing)	Brass, chrome plated
Labeling	Laser labelled
Temperature range	-20...+55 °C
Dimensions H x W x D	30x30x76.4 mm

IO-Link

Specification	IO-Link V1.1
Operating modes	COM2 (38.4 kBit/s)
Port Class	A

Diagnostic

Communication status	via LED
Diagnostic via LED	yes

Commercial data

country of origin	CZ
customs tariff number	85389099
EAN	4048879678315
eClass	27242604
Packaging unit	1