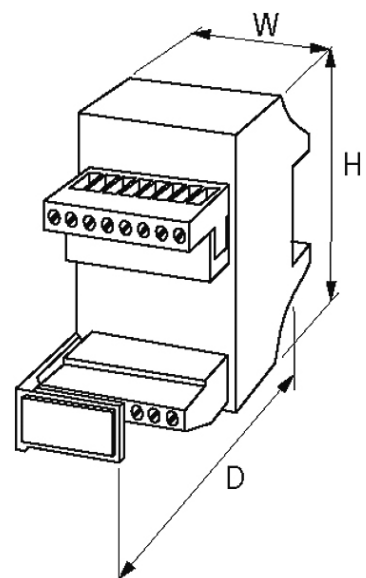
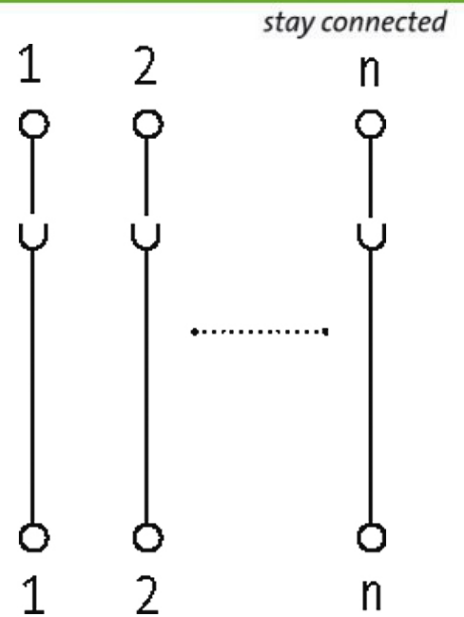


**TRANSFER MODULE FOR DIN RAIL MOUNTING**

23-pole  
for 1 × 11- and 1 × 12-pole spring clamp terminals  
pre-wired to push-in spring clamp terminals

[Link to Product](#)**Illustration**



Product may differ from Image

### Approvals



### Technical Data

Operating voltage	24 V DC
Operating current per bit	max. 10 A
Material group	EN 60664-1 over voltage, category III

### General data

Connection	Push-In spring clamp terminals: 1.0 mm <sup>2</sup> single core
Mounting method	DIN-rail mountable (EN 60715)
Dimensions H x W x D	75x45x65 mm
Temperature range	-20...+60 °C

### Commercial data

country of origin	CZ
customs tariff number	85369010
EAN	4048879315692
eClass	27143424
Packaging unit	1