

## ASSEMBLY MODULE MP 6 S

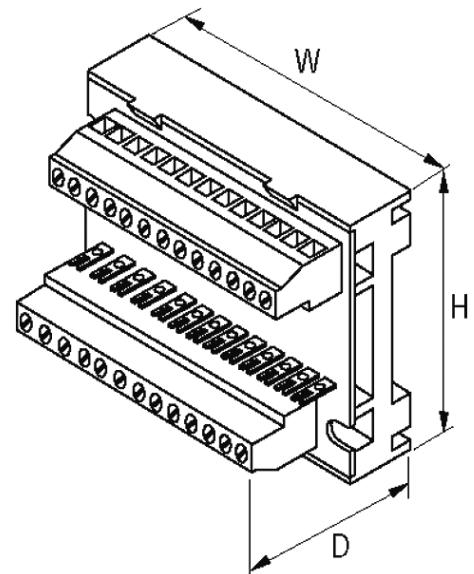
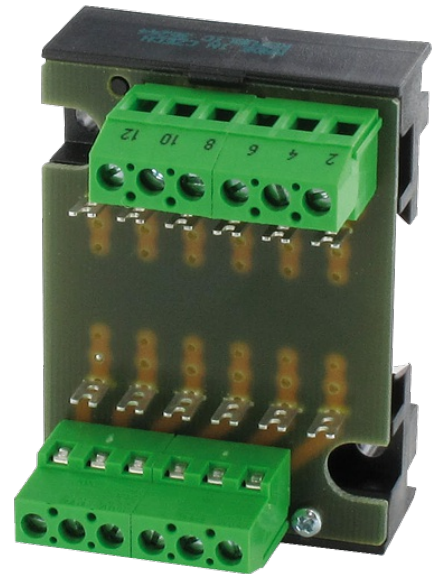
Mounting rail / screw-type terminal

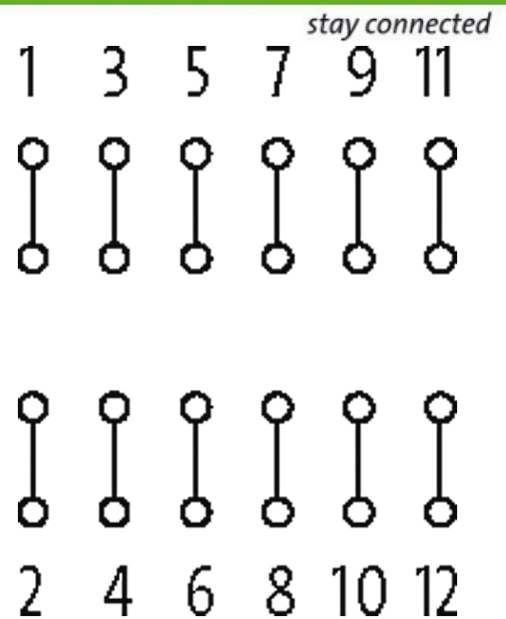
6 pairs of solder pins

screw terminals connected to solder pin pairs

### [Link to Product](#)

#### Illustration





Product may differ from Image

#### Technical Data

|                         |                  |
|-------------------------|------------------|
| Operating voltage       | max. 250 V AC/DC |
| Operating current       | max. 5 A         |
| Distance of solder pins | 50 mm            |

#### General data

|                      |   |
|----------------------|---|
| Mounting method      | DIN-rail mountable TH35 or G32 (EN 60715) or screwable                        |
| Connection           | Screw terminals: max. 4 mm <sup>2</sup> , pairs of solder pins (spacing 5 mm) |
| Housing              | Plastic, flame retardant. Open design.  |
| Dimensions H × W × D | 63×90×36 mm   |
| Temperature range    | -20...+60 °C  |

#### Commercial data

|                       |               |
|-----------------------|---------------|
| country of origin     | CZ            |
| customs tariff number | 85369010      |
| EAN                   | 4048879042239 |
| eClass                | 27260710      |
| Packaging unit        | 1             |