

EUROCARD HOLDER

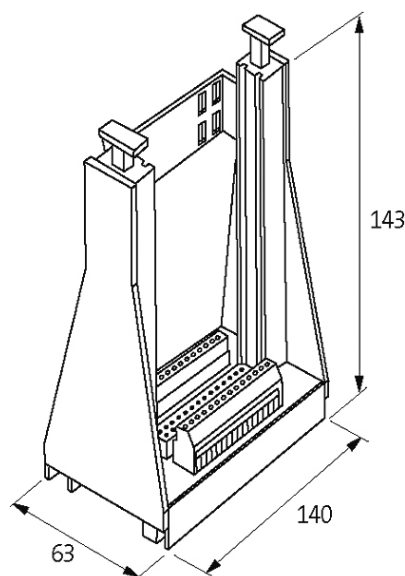
SKP 31/II

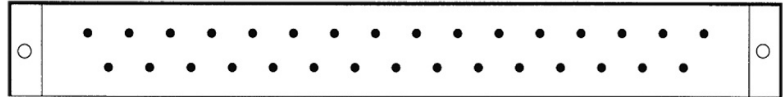
Screw terminals
31-pole (DIN 41617)
all

Connection via double row terminals on one side With the vertical snap adapter SASA 135 Art.-No. 63900 the holder can be mounted at right-angles on the rail. The D2 size is for a card without a front plate.

[Link to Product](#)

Illustration





Product may differ from Image

Technical Data

| | |
|-------------------|-------------------------------------|
| Operating voltage | 250 V AC |
| Operating current | max. 5 A |
| Configuration | 31-pole (DIN 41617) |
| Material group | EN 60664-1 over voltage, category I |
| Material | Plastic, flame retardant |

General data

| | |
|----------------------|---|
| Dimensions H x W x D | 137x63x170 mm |
| Connection | 4 mm ² single core |
| Mounting method | DIN-rail mountable (EN 60715) or screw fixing |

Description

| | |
|------------------------|---|
| Functional description | To insert the card first press down the 2 yellow buttons. Then slide the Eurocard into the guide slots pushing until fully engaged. The card is now locked into position. It can be removed by pressing down on the 2 yellow buttons. |
|------------------------|---|

Commercial data

| | |
|-----------------------|---------------|
| country of origin | CZ |
| customs tariff number | 85369010 |
| EAN | 4048879042208 |
| eClass | 27260710 |
| Packaging unit | 1 |