

EUROCARD HOLDER

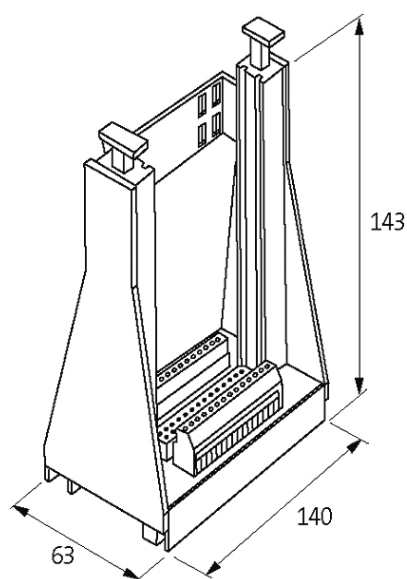
SKP 32/1 F, 250V/4A, row b,z

Screw terminals
32-pole F (EN 60603)
Row b, z
250 V AC

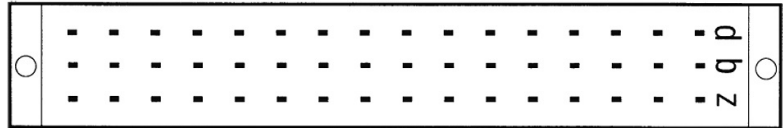
With the vertical snap adapter SASA 135 Art.-No. 63900 the holder can be mounted at right-angles on the rail. The D2 size is for a card without a front plate.

[Link to Product](#)

Illustration



stay connected



Product may differ from Image

Technical Data

Operating voltage	250 V AC
Operating current	max. 4 A
Configuration	32-pole F (EN 60603)
Material group	EN 60664-1 over voltage, category I
Material	Plastic, flame retardant

General data

Connection	4 mm ² single core
Mounting method	DIN-rail mountable (EN 60715) or screw fixing

Description

Functional description

To insert the card first press down the 2 yellow buttons. Then slide the Eurocard into the guide slots pushing until fully engaged. The card is now locked into position. It can be removed by pressing down on the 2 yellow buttons.

Commercial data

country of origin	CZ
customs tariff number	85366990
EAN	4048879042192
eClass	27260710
Packaging unit	1