

EUROCARD HOLDER

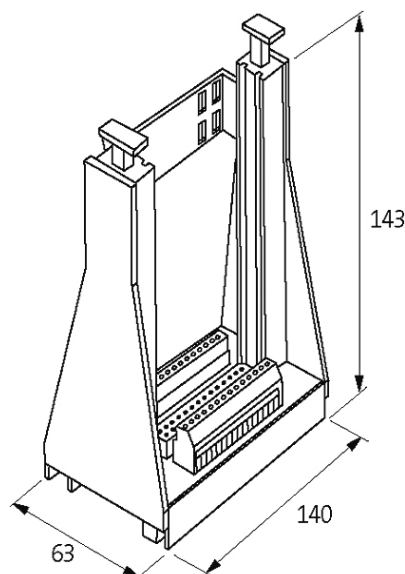
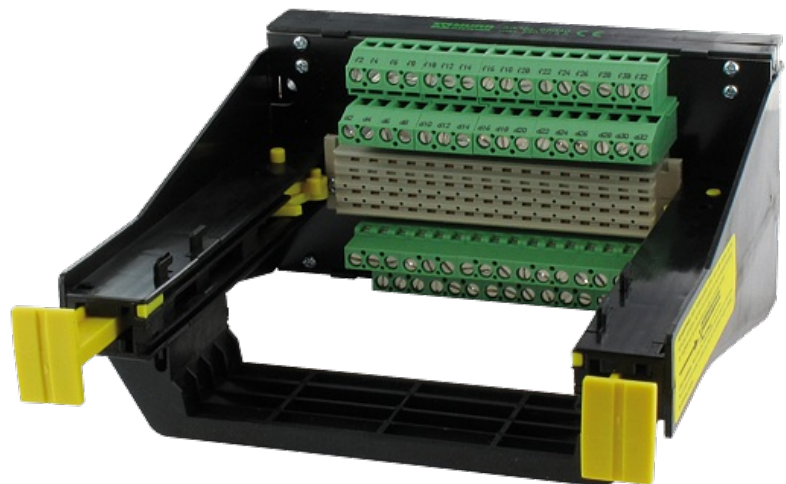
Product discontinued, no alternative

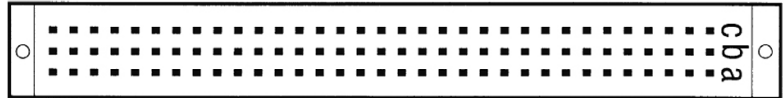
Screw terminals
64-pole C (EN 60603)
Row a, c
24 V DC
with LED

With the vertical snap adapter SASA 135 Art.-No. 63900 the holder can be mounted at right-angles on the rail. Optimized for Eberle PLS 509S or Telemecanique TSX 017 The D2 size is for a card without a front plate.

[Link to Product](#)

Illustration





Product may differ from Image

Technical Data

Operating voltage	24 V DC
Operating current	max. 2 A
Configuration	64-pole C (EN 60603)
Material group	EN 60664-1 over voltage, category II
Material	Plastic, flame retardant

General data

Connection	4 mm ² single core
Mounting method	DIN-rail mountable (EN 60715) or screw fixing
Dimensions H x W x D	140x96x177 mm

Description

Functional description	To insert the card first press down the 2 yellow buttons. Then slide the Eurocard into the guide slots pushing until fully engaged. The card is now locked into position. It can be removed by pressing down on the 2 yellow buttons.
------------------------	---

Commercial data

country of origin	CZ
customs tariff number	85369010
EAN	4048879040037
eClass	27260710
Packaging unit	1