

## EUROCARD HOLDER

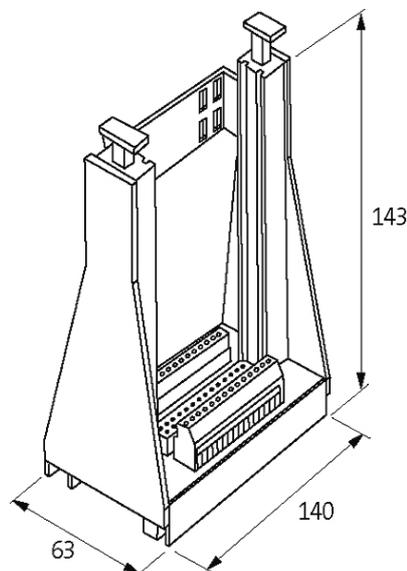
SKP 32 IC (ST)

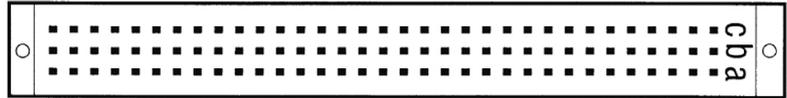
Screw terminals  
32-pole C (EN 60603)  
Row a, c  
250 V AC

With the vertical snap adapter SASA 135 Art.-No. 63900 the holder can be mounted at right-angles on the rail. The D2 size is for a card without a front plate. Double row terminals on one side row for "a"

### [Link to Product](#)

#### Illustration



*stay connected*

Product may differ from Image

### Technical Data

Operating voltage	250 V AC
Operating current	max. 2 A
Configuration	32-pole C (EN 60603)
Material group	EN 60664-1 over voltage, category I
Material	Plastic, flame retardant

### General data

Mounting method	DIN-rail mountable (EN 60715) or screw fixing
Connection	4 mm <sup>2</sup> single core
Dimensions H x W x D	137x63x170 mm

### Description

Functional description	To insert the card first press down the 2 yellow buttons. Then slide the Eurocard into the guide slots pushing until fully engaged. The card is now locked into position. It can be removed by pressing down on the 2 yellow buttons.
------------------------	---

### Commercial data

country of origin	CZ
customs tariff number	85369010
EAN	4048879040013
eClass	27260710
Packaging unit	1