

EUROCARD HOLDER

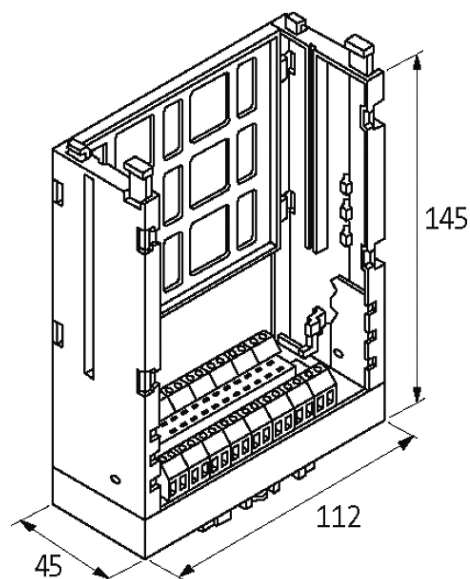
SKT 32 F, Z+B

Screw terminals
32-pole F (EN 60603)
Row b, z

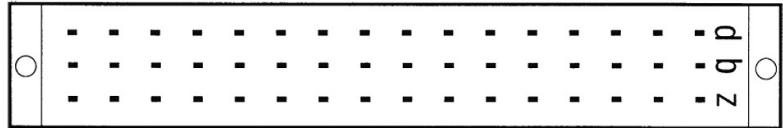
The D2 size is for a card without a front plate.

[Link to Product](#)

Illustration



stay connected



Product may differ from Image

Technical Data

Operating voltage	250 V AC
Operating current	max. 4 A
Configuration	32-pole F (EN 60603)
Material group	EN 60664-1 over voltage, category I
Material	Plastic, flame retardant

General data

Connection	4 mm ² single core
Mounting method	DIN-rail mountable (EN 60715) in vertical or horizontal position or screw fixing
Dimensions H x W x D	112x45x145 mm

Description

Functional description

To insert the card first press down the 2 yellow buttons. Then slide the Eurocard into the guide slots pushing until fully engaged. The card is now locked into position. It can be removed by pressing down on the 2 yellow buttons.

Commercial data

country of origin	CZ
customs tariff number	85369010
EAN	4048879042017
eClass	27260710
Packaging unit	1