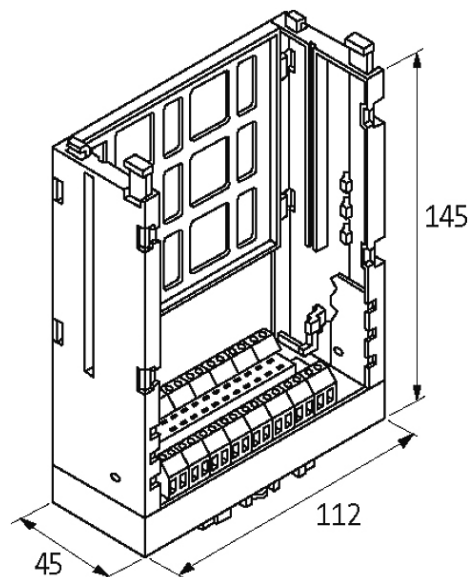


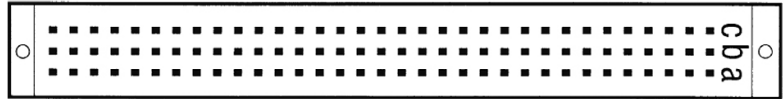
**EUROCARD HOLDER**

SKT 32 C

Screw terminals  
32-pole C (EN 60603)  
Row a, c

The D2 size is for a card without a front plate.

**[Link to Product](#)****Illustration**

*stay connected*

Product may differ from Image

### Technical Data

Operating voltage	250 V AC
Operating current	max. 2 A
Configuration	32-pole C (EN 60603)
Material group	EN 60664-1 over voltage, category I
Material	Plastic, flame retardant

### General data

Connection	4 mm <sup>2</sup> single core
Mounting method	DIN-rail mountable (EN 60715) in vertical or horizontal position or screw fixing
Dimensions H x W x D	112x45x145 mm

### Description

Functional description	To insert the card first press down the 2 yellow buttons. Then slide the Eurocard into the guide slots pushing until fully engaged. The card is now locked into position. It can be removed by pressing down on the 2 yellow buttons.
------------------------	---

### Commercial data

country of origin	CZ
customs tariff number	85369010
EAN	4048879041980
eClass	27260710
Packaging unit	1