

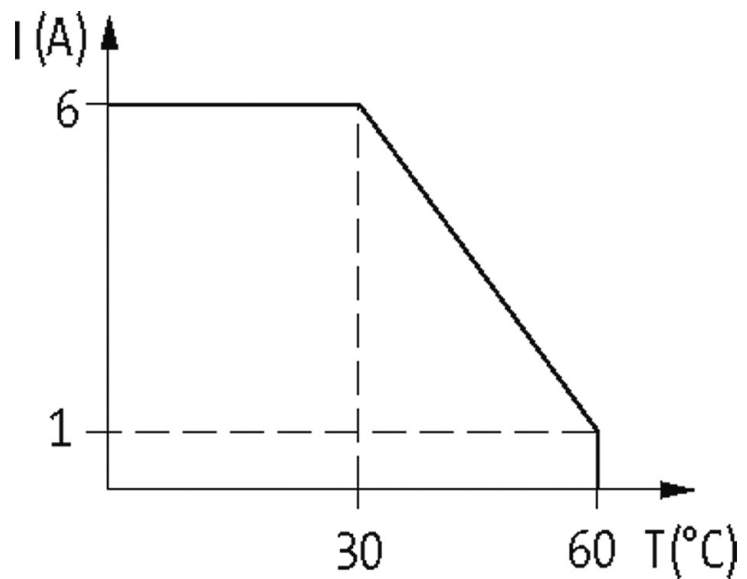
**MIRO OFF-DELAY ZEITRELAY 24VDC-1S**

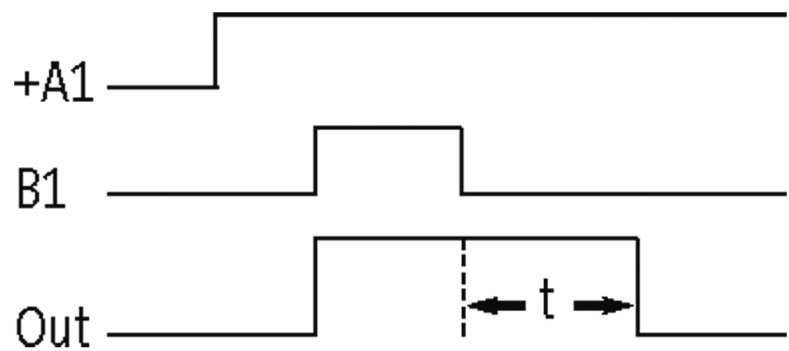
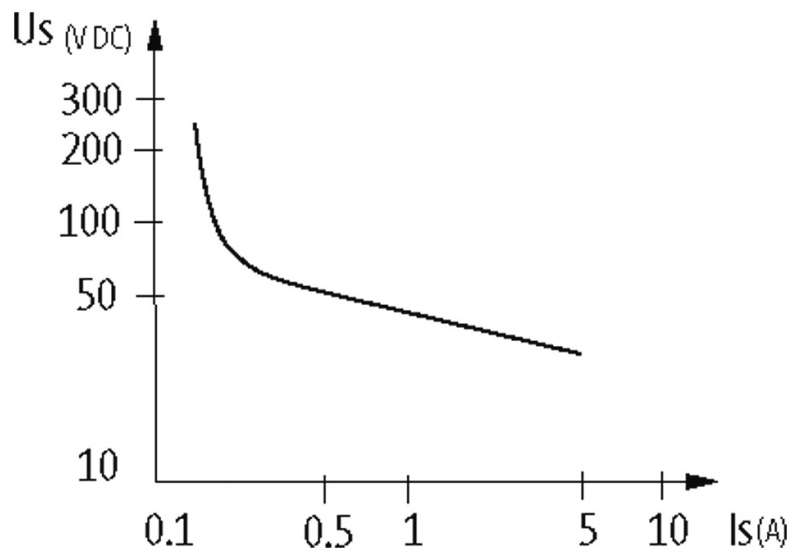
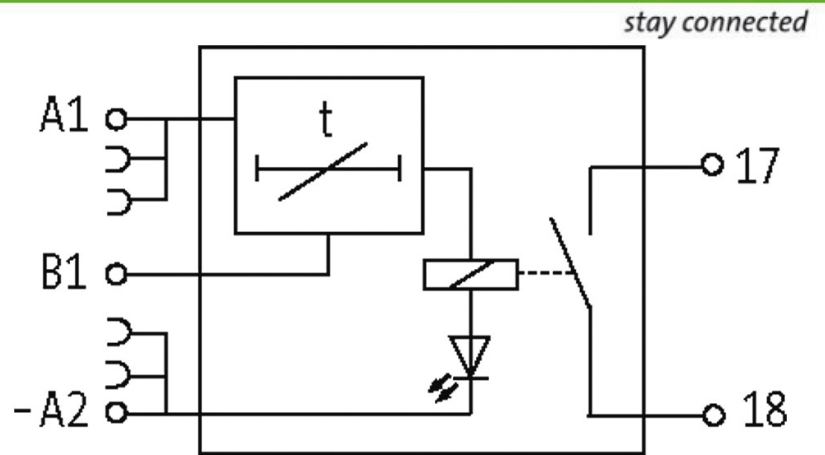
## MIRO 6.2 TIMER OFF-DELAY

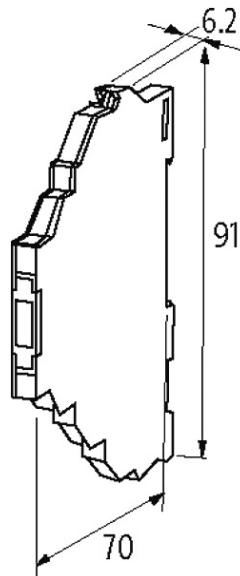
Relay output

Switch-off delay: 0.1...10 s

Spring clamp terminals

[Link to Product](#)**Illustration**





Product may differ from Image

### Approvals



### Input

Input voltage	24 V DC (+10 -15%) input A
Input current	20 mA (input A)
Control voltage	24 V DC (+10 -15%) input B
Control current	5 mA (input B)

### Utilization category

AC-12	6 A (24/110/230 V AC)
AC-15	3 A (24/110/230 V AC)
DC-13	1 A (24 V DC); 0.2 A (110 V DC); 0.1 A (230 V DC)

### General data

Mech./elect. life	20 000 000 switching cycles/load dependent
Test isolation voltage	4 kV; safe separation (EN 60947-1)
Mounting method	DIN-rail mountable (EN 60715)
Temperature range	0...+55 °C
Dimensions H x W x D	91x6.2x70 mm

### Output

Output voltage	max. 250 V AC/DC
Output current	max. 6 A
Min. load current	100 mA (12 V DC)
Output rating	max. 1 500 VA/120 W
Switching frequency	max. 10 Hz

The information in this brochure has been compiled with the utmost care.

Liability for the correctness completeness and topicality of the information is restricted to gross negligence. Version: 03/19

Murrelektronik GmbH | Falkenstraße 3 | 71570 Oppenweiler | Fon +49 (71 91) 47-0 | Fax +49 (71 91) 47-491000 | shop@murrelektronik.com | shop.murrelektronik.com

Contact material	Ag Sn O2
Energize/release/contact bounce time	10/15/1.5 ms

**Commercial data**

country of origin	CZ
customs tariff number	85364900
EAN	4048879021937
eClass	27371790
Packaging unit	1