

MIRO IMPULSE EXTENSION MODULES,SK

IN: 24 VDC - OUT: 24 VDC / 0.1 A

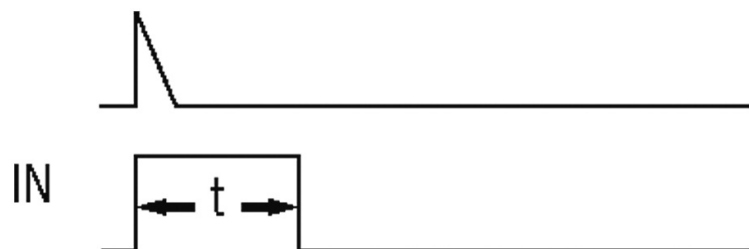
Transistor output

Impulse expansion: 0.1...10 s

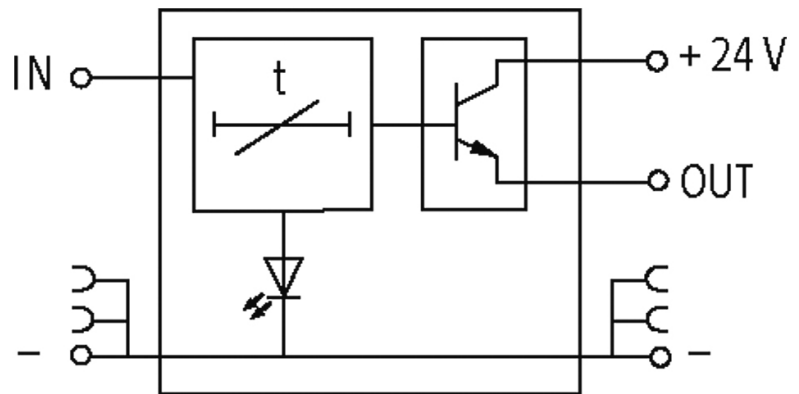
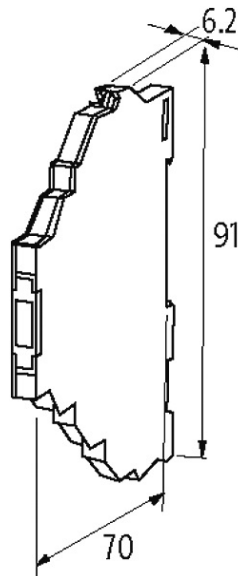
Spring clamp terminals

[Link to Product](#)

Illustration



OUT Control impuls ≥ 0.5 ms
0.1...10s front side poti adjustable



Product may differ from Image

Approvals



Input

Input voltage	19...29 V DC
Control voltage	16...32 V DC
Time range	0.1...10 s
Impulse length	min. 0.5 ms

General data

Test isolation voltage	no galvanic separation
Mounting method	DIN-rail mountable (EN 60715)
Temperature range	0...+60 °C
Dimensions H x W x D	91x6.2x70 mm

Output

The information in this brochure has been compiled with the utmost care.

Liability for the correctness completeness and topicality of the information is restricted to gross negligence. Version: 03/19

Murrelektronik GmbH | Falkenstraße 3 | 71570 Oppenweiler | Fon +49 (71 91) 47-0 | Fax +49 (71 91) 47-491000 | shop@murrelektronik.com | shop.murrelektronik.com

Switching voltage	Operating voltage – 1.5 V
Switching current per output	max. 100 mA

Commercial data

country of origin	CZ
customs tariff number	85437090
EAN	4048879021913
eClass	27371790
Packaging unit	1