

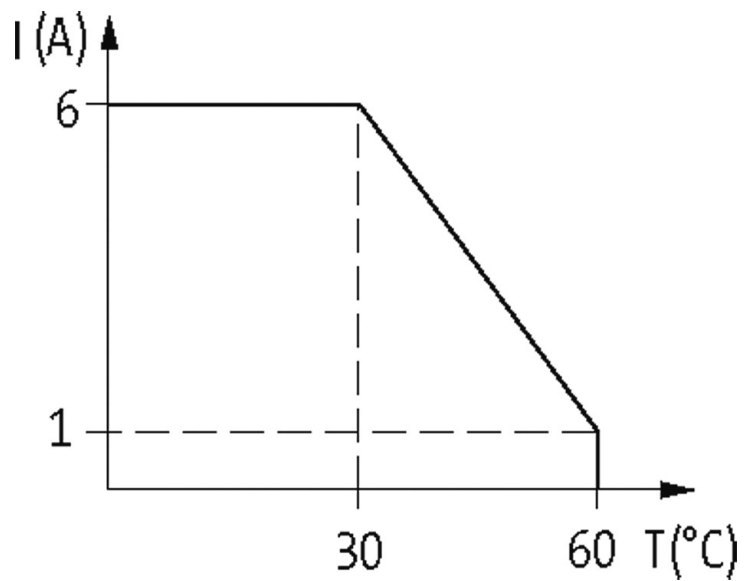
**MIRO MULTI TIMER 24VDC-1S**

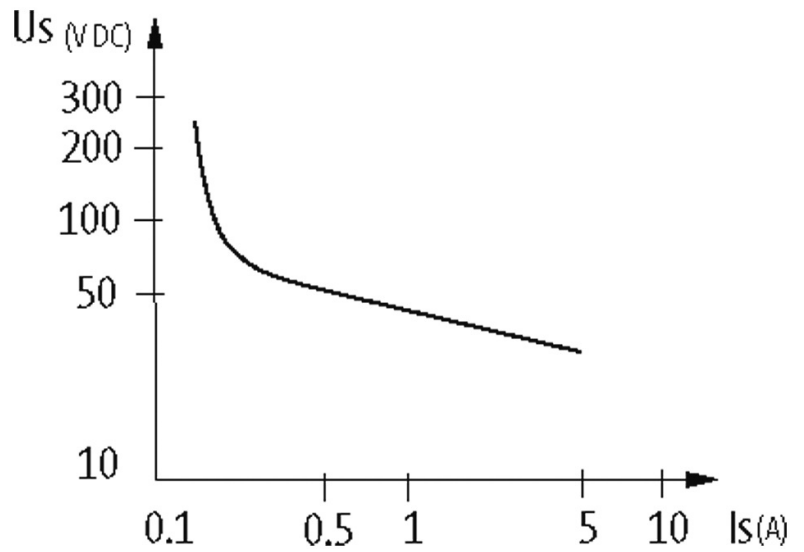
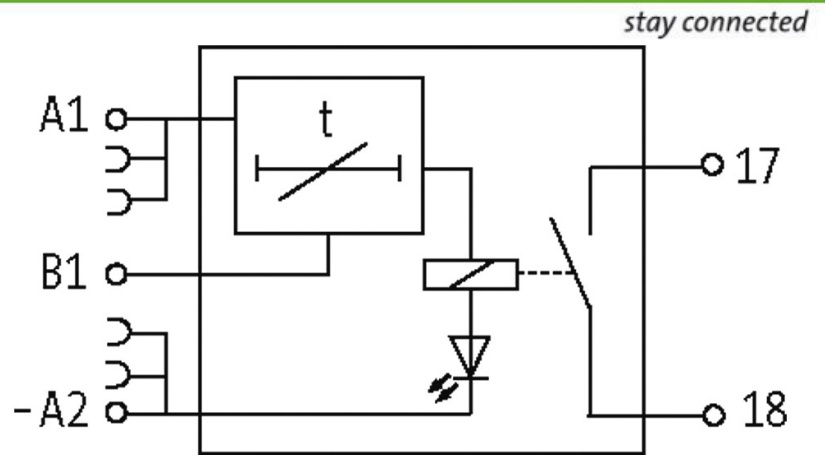
MIRO MULTI-TIMER 24VDC-1S

Relay output

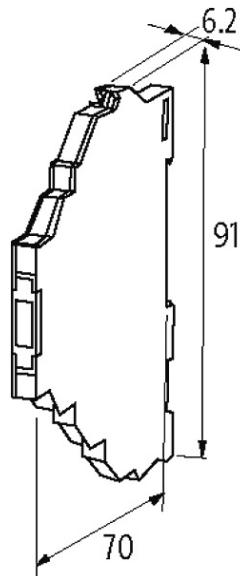
Impulse expansion: 0.1 ...300 s

Spring clamp terminals

[Link to Product](#)**Illustration**



Time	+A1	Function
0.1..1.2 s	Out	Switch on delay
0.4..5 s	Out	One shot
3.5..40 s	Out	Modulation, pause starting
30..300 s	Load	Modulation, pulse starting
	B1	Switch off delay time
	Load	



Product may differ from Image

### Approvals



### Input

Input voltage	24 V DC (+10 -15%) input A
Input current	20 mA (input A)
Control voltage	24 V DC (+10 -15%) input B
Control current	5 mA (input B)

### General data

Mech./elect. life	20 000 000 switching cycles/load dependent
Test isolation voltage	4 kV; safe separation (EN 60947-1)
Mounting method	DIN-rail mountable (EN 60715)
Temperature range	-25...+60 °C
Dimensions H x W x D	91x6.2x70 mm

### Output

Output voltage	max. 250 V AC/DC
Output current	max. 6 A
Min. load current	100 mA (12 V DC)
Output rating	max. 1 500 VA/120 W
Switching frequency	max. 10 Hz
Contact material	Ag Sn O2
Energize/release/contact bounce time	10/15/1.5 ms

### Commercial data

country of origin	CZ
-------------------	----

customs tariff number	85364190
EAN	4048879021906
eClass	27371790
Packaging unit	1