

MIRO 12.4 MULTI-TIMER

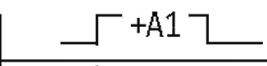
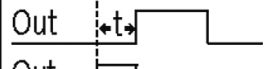

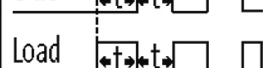
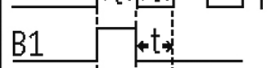
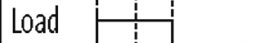
IN: 24 VAC/DC / 230 VAC - OUT: 230 VAC/DC / 6A

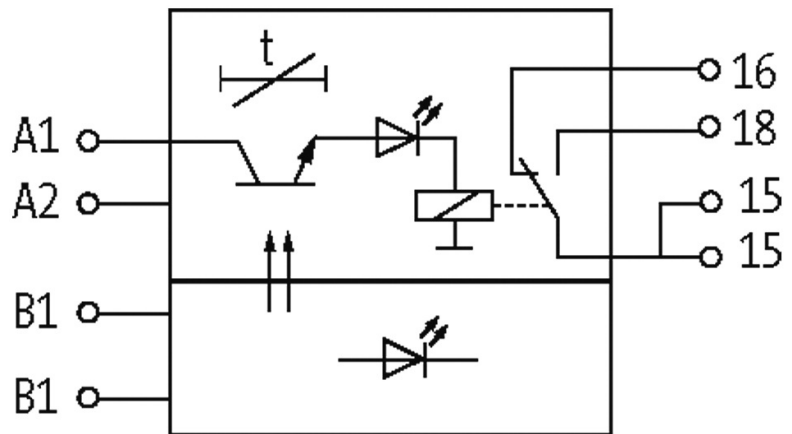
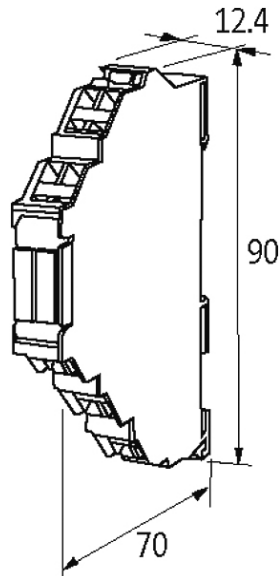
Relay output
Multitimer: 0.1...300
Spring clamp terminals

[Link to Product](#)

Illustration



Time		+A1	Function
0.1...1.2 s	Out		Switch on delay
0.4...5 s	Out		One shot
3.5...40 s	Out		Modulation, pause starting
30...300 s	Load		Modulation, pulse starting
	B1		Switch off delay time
	Load		



Product may differ from Image

Input

Input voltage	24 V AC/DC or 230 V AC ($\pm 15\%$)
Input current	12 mA (24 V DC)
Control voltage	24 V AC/DC or 230 V AC ($\pm 15\%$)
Control current	2 mA

General data

Mech./ elect. life	20 000 000 switching cycles/load dependent
Test isolation voltage	4.8 kV
Mounting method	DIN-rail mountable (EN 60715)
Temperature range	-25...+60 °C

Output

Output voltage	max. 230 V AC/DC
Output current	max. 6 A
Min. load current	8 mA (24 V DC)
Output rating	max. 1 500 VA/120 W
Contact material	Ag Sn O ₂

The information in this brochure has been compiled with the utmost care.

Liability for the correctness completeness and topicality of the information is restricted to gross negligence. Version: 03/19

Murrelektronik GmbH | Falkenstraße 3 | 71570 Oppenweiler | Fon +49 (71 91) 47-0 | Fax +49 (71 91) 47-491000 | shop@murrelektronik.com | shop.murrelektronik.com

Energize/release/contact bounce time	8/10/2 ms
--------------------------------------	-----------

Commercial data

country of origin	CZ
-------------------	----

customs tariff number	85364900
-----------------------	----------

EAN	4048879021890
-----	---------------

eClass	27371790
--------	----------

Packaging unit	1
----------------	---