

LUGS 16 FOR SIGNAL TRANSFER 250V/8 A

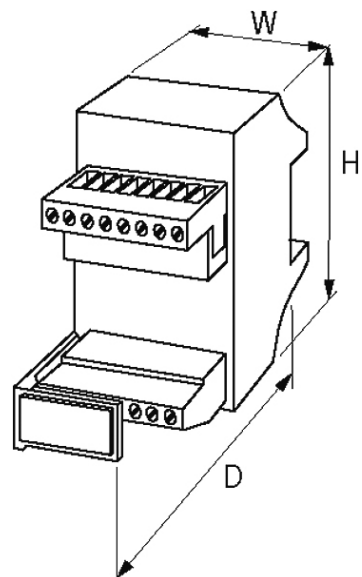
Mounting rail/pluggable spring clamps

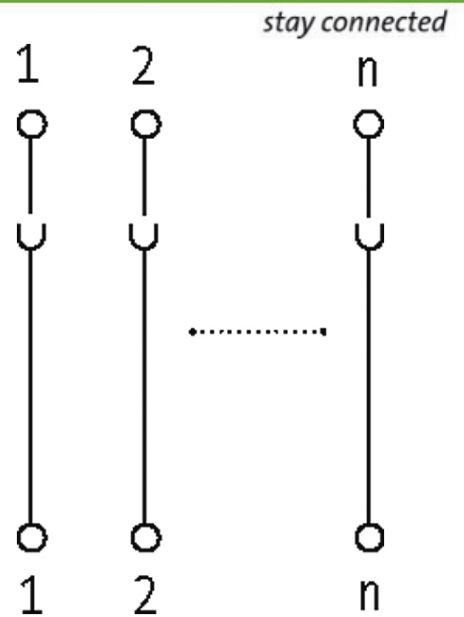
16-pole

Push-In spring clamp terminals

[Link to Product](#)

Illustration





Product may differ from Image

Technical Data

| | |
|---------------------------|-----------------------------------|
| Operating voltage | 250 V AC |
| Operating current per bit | 8 A |
| Material group | EN 50178 over voltage, category I |

General data

| | |
|----------------------|---|
| Connection | Spring clamp plug-in terminals: max. 2.5 mm ² (AWG 14) |
| Mounting method | DIN-rail mountable (EN 60715) |
| Dimensions H x W x D | 75x45x75 mm |
| Temperature range | -20...+60 °C |

Commercial data

| | |
|-----------------------|---------------|
| country of origin | CZ |
| customs tariff number | 85369010 |
| EAN | 4048879324120 |
| eClass | 27379201 |
| Packaging unit | 1 |