

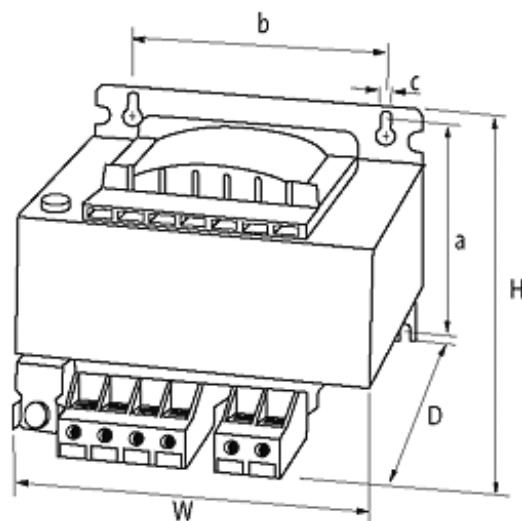
## MET 1-PHASE CONTROL AND ISOLATION TRANSFORMER

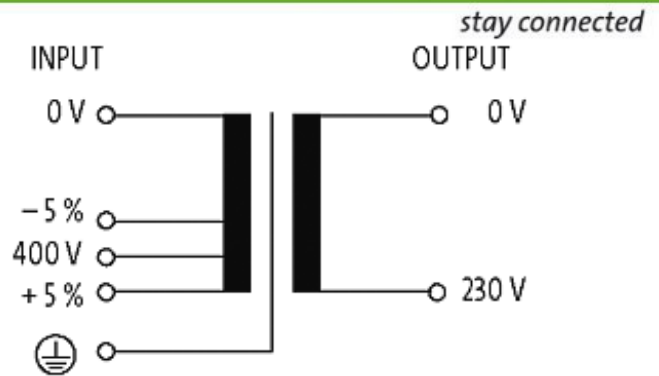
P: 500VA IN: 400VAC+/- 5% OUT: 230VAC

Single-phase - Control and Isolation Transformers  
 500 VA  
 Spring clamp terminals  
 Isolation class T 60/B

### [Link to Product](#)

#### Illustration





Product may differ from Image

### Approvals



### Input

Input voltage	400 V AC $\pm$ 5%
Frequency	50...60 Hz
Input current	1.37 A (400 V AC)
Short-circuit current	43.35 A (400 V AC)
Inrush current	20.22 A (400 V AC)

### General data

Standards	EN 61558-1, EN 61558-2-4, EN 62041 category 0
Test isolation voltage	4 kV (prim./sec.)
Dimensions H x W x D	112.6x150x146 mm
Fixing centers a x b x c	90x122x7 mm
Drill hole $\varnothing$	7x11 mm
Mounting method	Key-hole mounting
Temperature range	-20...+60 °C (storage temperature -40...+80 °C)

### Output

Output voltage	230 V AC
Output rating	500 VA

### Commercial data

country of origin	CZ
customs tariff number	85043180
EAN	4048879066532
eClass	27031302
Packaging unit	1