

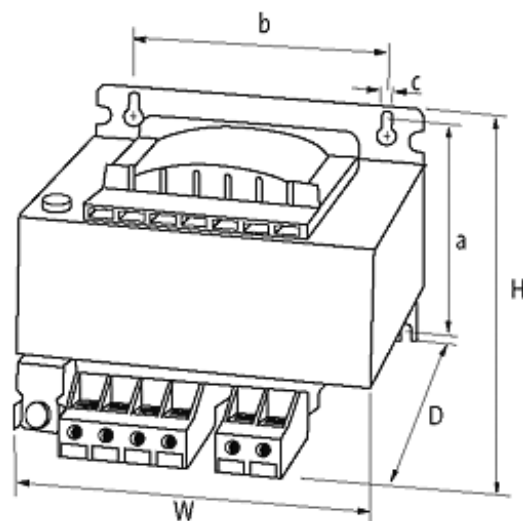
MET 1-PHASE CONTROL AND ISOLATION TRANSFORMER

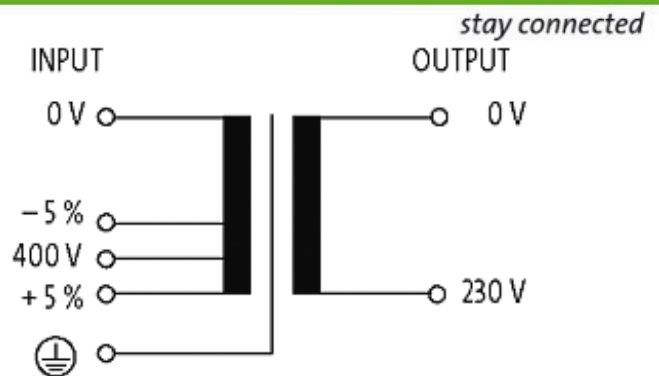
P: 630VA IN: 400VAC+/- 5% OUT: 230VAC

Single-phase - Control and Isolation Transformers
 630 VA
 Spring clamp terminals
 Isolation class T 60/B

[Link to Product](#)

Illustration





Product may differ from Image

Approvals



Input

Frequency	50...60 Hz
Input current	1.71 A (400 V AC)
Short-circuit current	68.2 A (400 V AC)
Inrush current	27.16 A (400 V AC)

General data

Standards	EN 61558-1, EN 61558-2-4, EN 62041 category 0
Test isolation voltage	4 kV (prim./sec.)
Dimensions H x W x D	130x150x146 mm
Fixing centers a x b x c	107.5x122x7 mm
Drill hole Ø	7x11 mm
Mounting method	Key-hole mounting
Temperature range	-20...+60 °C (storage temperature -40...+80 °C)

Output

Output voltage	230 V AC
Output rating	630 VA

Commercial data

country of origin	CZ
customs tariff number	85043180
EAN	4048879066488
eClass	27031302
Packaging unit	1