

**MET 1-PHASE CONTROL AND ISOLATION TRANSFORMER**

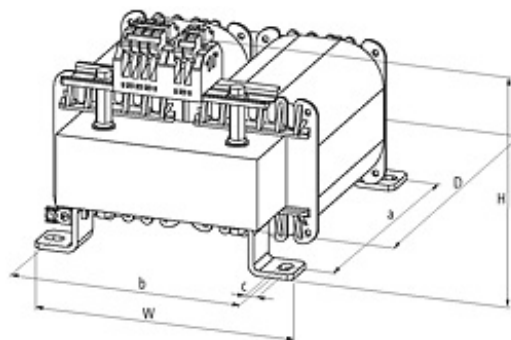
P: 5000VA IN: 230VAC+/- 5% OUT: 230VAC

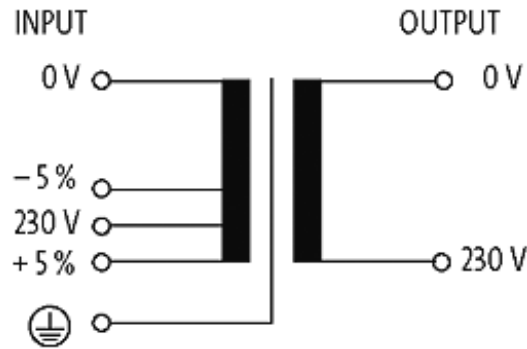
Single-phase - Control and Isolation Transformers

5 000 VA

Spring clamp terminals

Isolation class T 40/B

[Link to Product](#)**Illustration**

*stay connected*

Product may differ from Image

### Approvals



### Input

Input voltage	230 V AC $\pm$ 5%
Frequency	50...60 Hz
Input current	22.6 A (230 V AC)
Short-circuit current	1 257 A (230 V AC)
Inrush current	562 A (230 V AC)

### General data

Standards	EN 61558-1, EN 61558-2-4, EN 62041 category 0
Test isolation voltage	4 kV (prim./sec.)
Dimensions H x W x D	225x198x250 mm
Fixing centers a x b x c	200x174x9 mm
Drill hole $\varnothing$	9x14 mm
Mounting method	Long-hole mounting
Temperature range	-20...+40 °C (storage temperature -40...+80 °C)

### Output

Output voltage	230 V AC
Output rating	5 000 VA

### Commercial data

country of origin	CZ
customs tariff number	85043200
EAN	4048879066266
eClass	27031302
Packaging unit	1