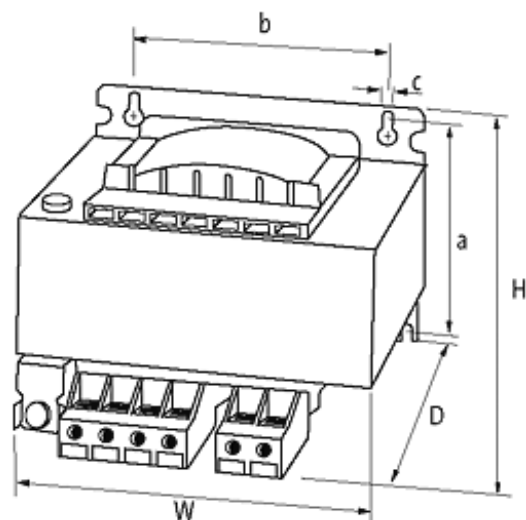


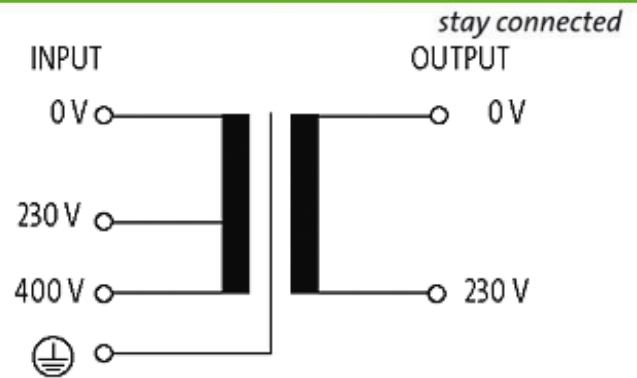
MST 1-PHASE CONTROL AND ISOLATION TRANSFORMER

P: 500VA IN: 230/400VAC OUT: 230VAC

Single-phase - Control and Isolation Transformers
500 VA
Spring clamp terminals
Isolation class T 40/B

Other voltages on request.

[Link to Product](#)**Illustration**



Product may differ from Image

Approvals



Input

Input voltage	230/400 V AC
Frequency	50...60 Hz
Input current	2.4 A (230 V AC); 1.4 A (400 V AC)
Inrush current	28.1 A (230 V AC); 16.3 A (400 V AC)
Short-circuit current	54 A (230 V AC); 31.2 A (400 V AC)

General data

Standards	EN 61558-2-4, EN 62041 category 0
Test isolation voltage	4 kV (prim./sec.)
Mounting method	Key-hole mounting
Temperature range	-20...+40 °C (storage temperature -40...+80 °C)
Dimensions H x W x D	108x135x133.6 mm
Fixing centers a x b x c	87x104x5.8 mm
Drill hole Ø	5.8x10 mm

Output

Output voltage	230 V AC
Output rating	500 VA

Commercial data

country of origin	CZ
customs tariff number	85043180
EAN	4048879066228
eClass	27031302
Packaging unit	1