

MST 1-PHASE CONTROL AND ISOLATION TRANSFORMER

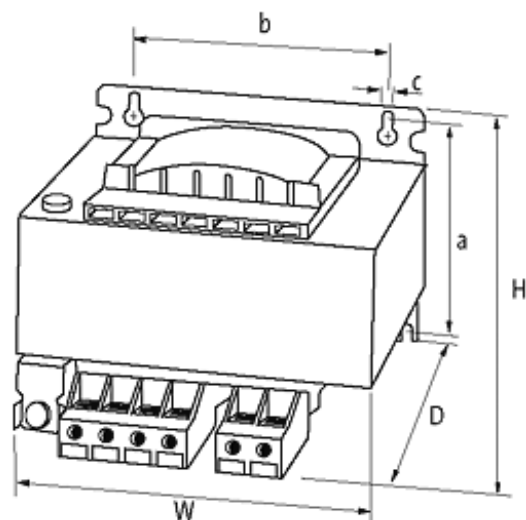
P: 1000VA IN: 230/400VAC OUT: 230VAC

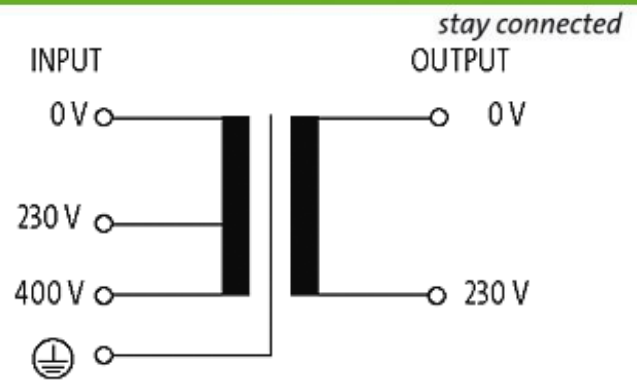
Single-phase - Control and Isolation Transformers
 1 000 VA
 Spring clamp terminals
 Isolation class T 40/B

Other voltages on request.

[Link to Product](#)

Illustration





Product may differ from Image

Approvals



Input

| | |
|-----------------------|--------------------------------------|
| Input voltage | 230/400 V AC |
| Frequency | 50...60 Hz |
| Input current | 4.73 A (230 V AC); 2.72 A (400 V AC) |
| Inrush current | 66 A (230 V AC); 38 A (400 V AC) |
| Short-circuit current | 148 A (230 V AC); 85 A (400 V AC) |

General data

| | |
|--------------------------|---|
| Standards | EN 61558-1, EN 61558-2-4, EN 62041 category 0 |
| Test isolation voltage | 4 kV (prim./sec.) |
| Mounting method | Key-hole mounting |
| Temperature range | -20...+40 °C (storage temperature -40...+80 °C) |
| Dimensions H x W x D | 128x174x160 mm |
| Fixing centers a x b x c | 102x135x7 mm |
| Drill hole Ø | 7x11 mm |

Output

| | |
|----------------|----------|
| Output voltage | 230 V AC |
| Output rating | 1 000 VA |

Commercial data

| | |
|-----------------------|---------------|
| country of origin | CZ |
| customs tariff number | 85043180 |
| EAN | 4048879066198 |
| eClass | 27031302 |
| Packaging unit | 1 |