

MTS 1-PHASE CONTROL AND ISOLATION TRANSFORMER

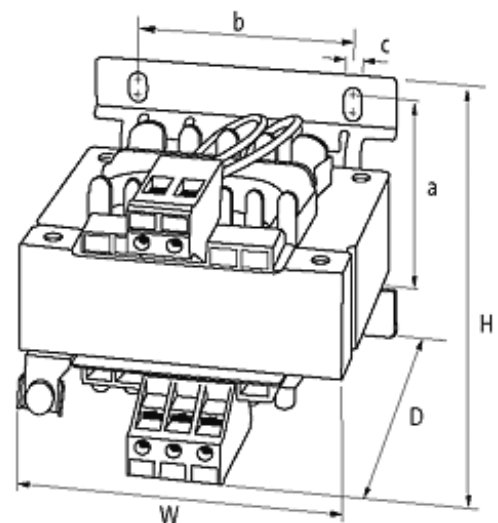
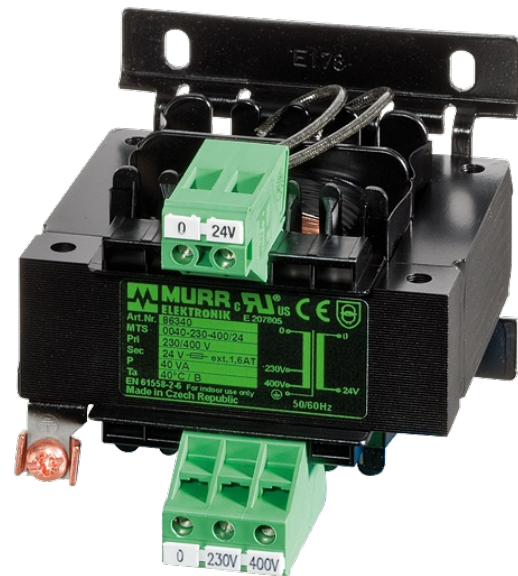
P: 40VA IN: 230/400VAC OUT : 230VAC

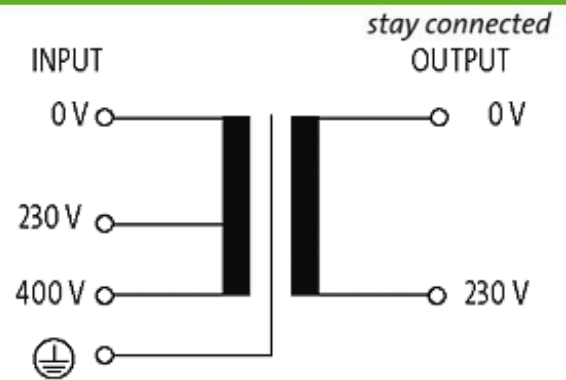
Single-phase - Control and Isolation Transformers
 40 VA
 Spring clamp terminals
 Isolation class T 40/B
 Protection IP20

Other voltages on request.

[Link to Product](#)

Illustration





Product may differ from Image

Approvals



Input

Input voltage	230/400 V AC
Input current	0.24 A (230 V AC); 0.138 A (400 V AC)
Inrush current	1.64 A (230 V AC); 0.94 A (400 V AC)
Short-circuit current	1.88 A (230 V AC); 1.08 A (400 V AC)
Frequency	50...60 Hz

General data

Test isolation voltage	4 kV (prim./sec.)
Standards	EN 61558-1, EN 61558-2-4, EN 62041 category 0
Drill hole Ø	4.8×8.4 mm
Mounting method	Long-hole mounting or DIN-rail mountable TH35 (EN 60715)
Fixing centers a × b × c	56×56×4.8 mm
Dimensions H × W × D	79×78×93 mm
Temperature range	-20...+40 °C (storage temperature -40...+80 °C)

Output

Output voltage	230 V AC
Output rating	40 VA

Commercial data

country of origin	CZ
customs tariff number	85043180
EAN	4048879066075
eClass	27031302
Packaging unit	1