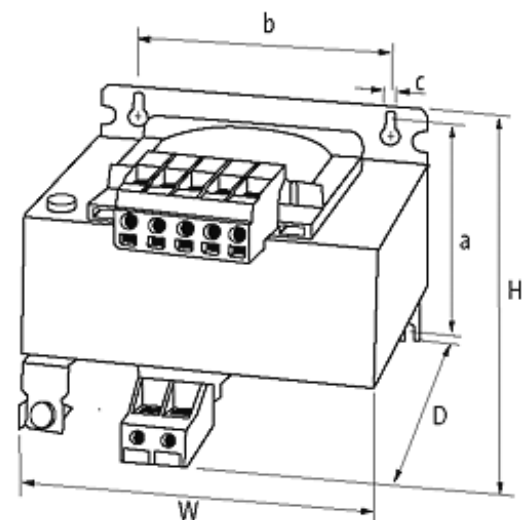


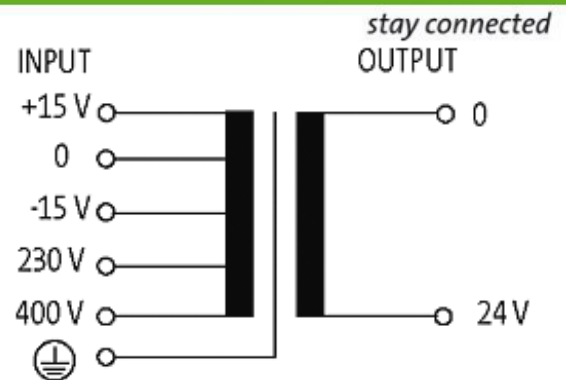
**MTS 1-PHASE SAFETY TRANSFORMER**

P: 63VA IN: 230/400VAC +/- 15VAC OUT: 24VAC

Single-phase safety transformer  
63 VA  
Spring clamp terminals  
Isolation class T 40/B

Other voltages on request.

[Link to Product](#)**Illustration**



Product may differ from Image

## Approvals



## Input

Input voltage	230/400 ±15 V AC
Frequency	50...60 Hz
Input current	0.33 A (230 V AC); 0.2 A (400 V AC)
Inrush current	2 A (230 V AC); 1.15 A (400 V AC)
Short-circuit current	2.95 A (230 V AC); 1.7 A (400 V AC)

## General data

Standards	EN 61558-1, EN 61558-2-6, EN 62041 category 0
Test isolation voltage	4 kV (prim./sec.)
Mounting method	Long-hole mounting or DIN-rail mountable TH35 (EN 60715)
Temperature range	-20...+40 °C (storage temperature -40...+80 °C)
Dimensions H × W × D	79×78×93 mm
Fixing centers a × b × c	56×56×4.8 mm
Drill hole Ø	4.8×8.4 mm

## Output

Output voltage	24 V AC (SELV)
Output rating	63 VA

## Commercial data

country of origin	CZ
customs tariff number	85043180
EAN	4048879066013
eClass	27031302
Packaging unit	1