

MTS 1-PHASE CONTROL AND ISOLATION TRANSFORMER

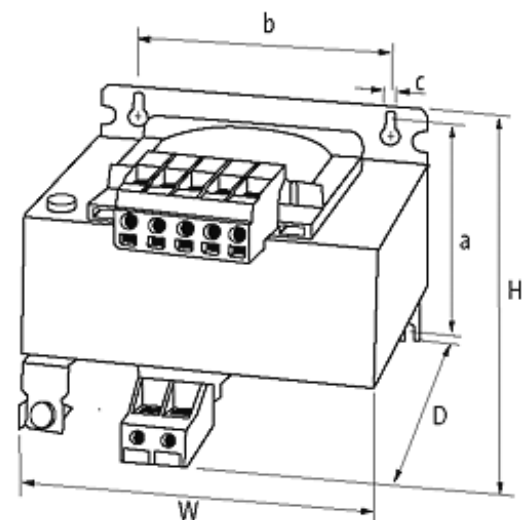
P: 160VA IN: 230/400VAC +/- 15VAC OUT: 230VAC

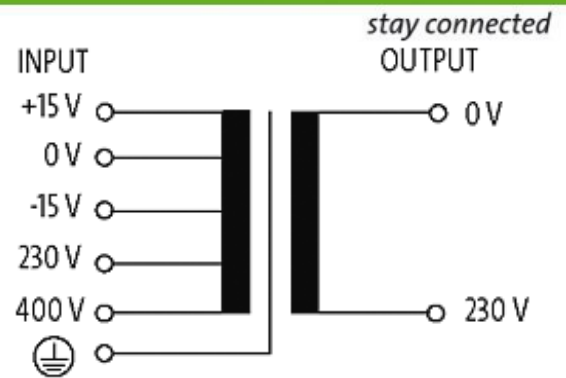
Single-phase - Control and Isolation Transformers
 160 VA
 Isolation class T 40/B
 Spring clamp terminals

Other voltages on request.

[Link to Product](#)

Illustration





Product may differ from Image

Approvals



Input

| | |
|-----------------------|--------------------------------------|
| Input voltage | 230/400 ±15 V AC |
| Frequency | 50...60 Hz |
| Input current | 0.78 A (230 V AC); 0.45 A (400 V AC) |
| Inrush current | 6 A (230 V AC); 3.46 A (400 V AC) |
| Short-circuit current | 9.5 A (230 V AC); 5.5 A (400 V AC) |

General data

| | |
|--------------------------|--|
| Standards | EN 61558-1, EN 61558-2-4, EN 62041 category 0 |
| Test isolation voltage | 4 kV (prim./sec.) |
| Mounting method | Long-hole mounting or DIN-rail mountable TH35 (EN 60715) |
| Temperature range | -20...+40 °C (storage temperature -40...+80 °C) |
| Dimensions H × W × D | 101×96×106 mm |
| Fixing centers a × b × c | 86.5×84×4.8 mm |
| Drill hole Ø | 4.8×8.4 mm |

Output

| | |
|----------------|----------|
| Output voltage | 230 V AC |
| Output rating | 160 VA |

Commercial data

| | |
|-----------------------|---------------|
| country of origin | CZ |
| customs tariff number | 85043180 |
| EAN | 4048879065948 |
| eClass | 27031302 |
| Packaging unit | 1 |