

MTL 1-PHASE SAFETY TRANSFORMER

P: 400VA IN: 230/400VAC +/- 15VAC OUT: 2x24VAC

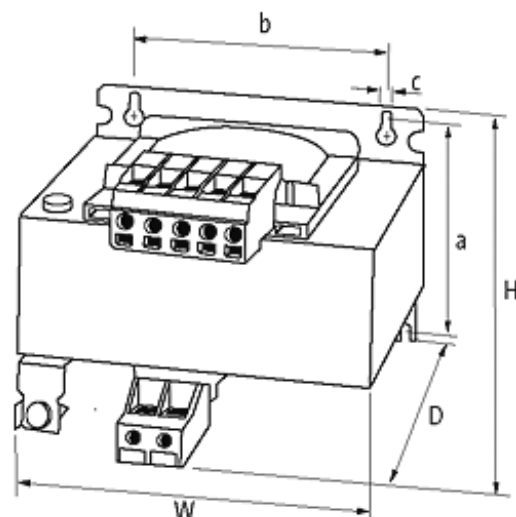
400 VA

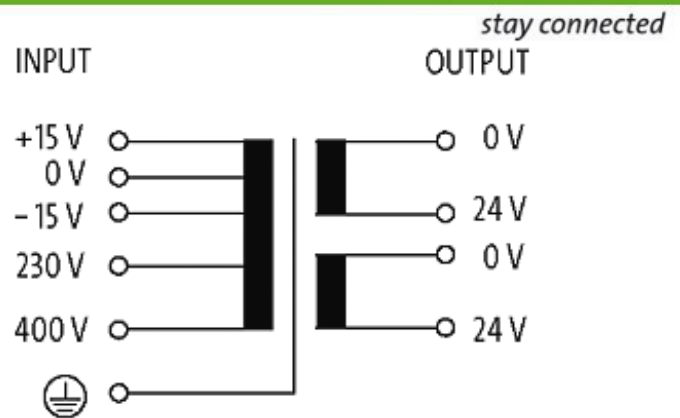
Spring clamp terminals

Isolation class T 60/B

[Link to Product](#)

Illustration





Product may differ from Image

Approvals



Input

Input voltage	230/400 ±15 V AC
Input current	2.04 A (230 V AC); 1.18 A (400 V AC)
Inrush current	32.2 A (230 V AC); 18.58 A (400 V AC)
Short-circuit current	61.9 A (230 V AC); 35.7 A (400 V AC)
Frequency	50...60 Hz

General data

Test isolation voltage	5.1 kV (prim./sec.)
Standards	EN 61558-2-4, EN 61558-2-6, EN 62041 category 0
Drill hole Ø	7×11 mm
Mounting method	DIN-rail mountable TH35-15 (EN 60715) or for key-hole mounting
Fixing centers a × b × c	90.6×122×7 mm
Dimensions H × W × D	112.5×150×160 mm
Temperature range	-20...+60 °C (storage temperature -40...+80 °C)

Output

Output voltage	1 × 24, 1 × 48, 2 × 24 V AC
Output rating	400 VA

Commercial data

country of origin	CZ
customs tariff number	85043180
EAN	4048879065924
eClass	27031302
Packaging unit	1