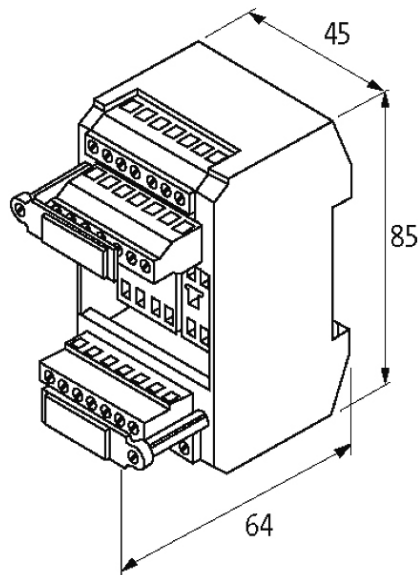
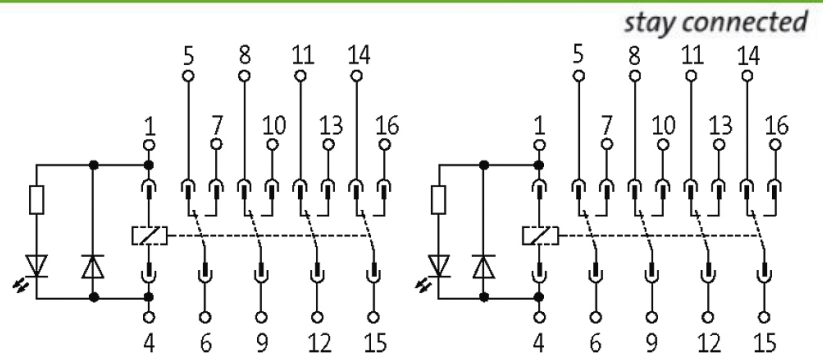


**MKS - K 24/LED 24 RELAY SOCKET MODULES**

IN: 24 VDC - OUT: 125 VAC/DC / 2 A

for cradle relay  
4 NO/NC contacts  
24 V DC

[Link to Product](#)**Illustration**



Product may differ from Image

### Technical Data

Switching voltage	125 V AC/150 V DC
Switching current	max. 2 A

### General data

Connection	Screw terminals: max. 4 mm <sup>2</sup>
Test isolation voltage	2.5 kV
Mounting method	DIN-rail mountable (EN 60715)
Dimensions H × W × D	85×45×64 mm

### Commercial data

country of origin	CZ
customs tariff number	85364900
EAN	4048879025546
eClass	27371001
Packaging unit	1