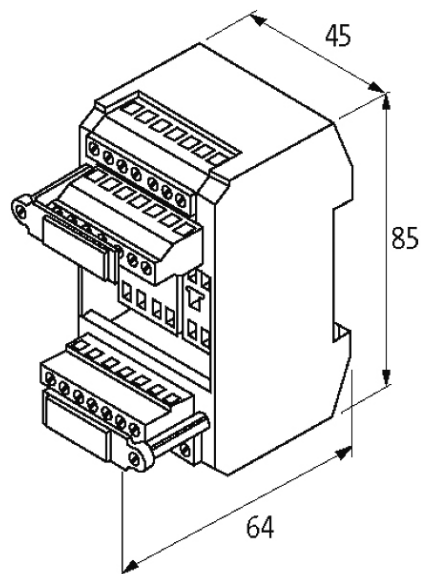
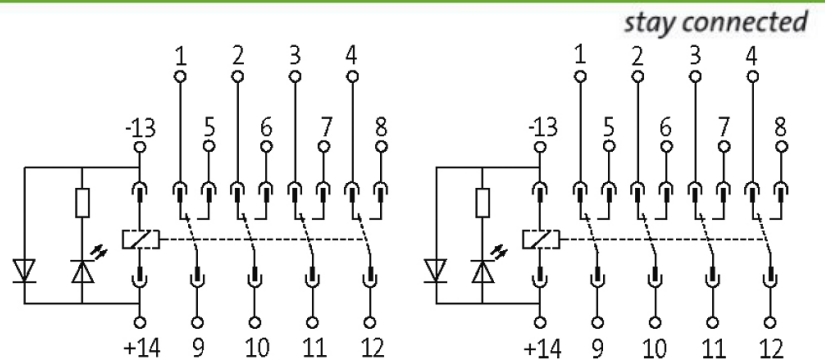


MKS - J 24/LED 24 RELAY SOCKET MODULES

IN: 24 VDC - OUT: 250 VAC/ 110 DC / 2 A

for industrial relays
4 NO/NC contacts
24 V DC
Diode + LED

[Link to Product](#)**Illustration**



Product may differ from Image

Technical Data

Switching voltage	max. 250 V AC/110 V DC
Switching current	max. 3 A

General data

Connection	Screw terminals: max. 4 mm ²
Test isolation voltage	2.5 kV
Mounting method	DIN-rail mountable (EN 60715)
Dimensions H × W × D	85×45×64 mm

Commercial data

country of origin	CZ
customs tariff number	85366990
EAN	4048879025539
eClass	27371001
Packaging unit	1