

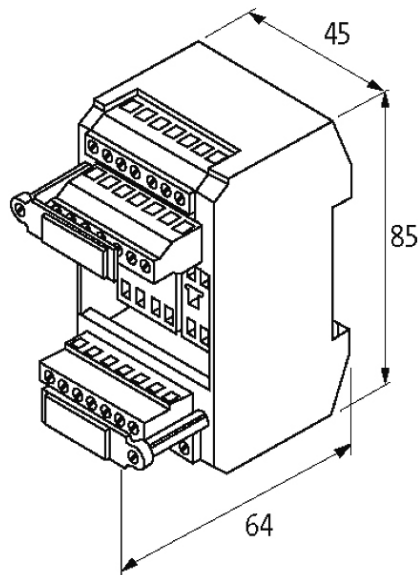
MKS-K24M/LED24 VDC RELAY SOCKET MODULES

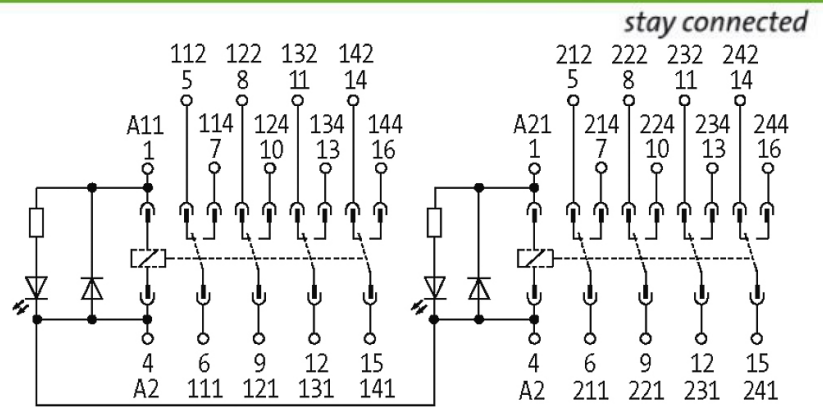
IN: 24 VDC - OUT: 125 VAC/DC / 2 A

for cradle relay

4 NO/NC contacts

24 V DC, minus bridged (coil)

[Link to Product](#)**Illustration**



Product may differ from Image

Technical Data

| | |
|-------------------|-------------------|
| Switching voltage | 125 V AC/150 V DC |
| Switching current | max. 2 A |

General data

| | |
|------------------------|---|
| Connection | Screw terminals: max. 4 mm ² |
| Test isolation voltage | 2.5 kV |
| Mounting method | DIN-rail mountable (EN 60715) |
| Dimensions H × W × D | 85×45×64 mm |

Commercial data

| | |
|-----------------------|---------------|
| country of origin | CZ |
| customs tariff number | 85364900 |
| EAN | 4048879025508 |
| eClass | 27371001 |
| Packaging unit | 1 |