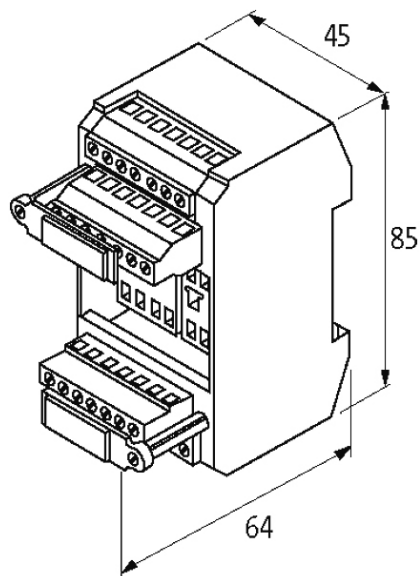
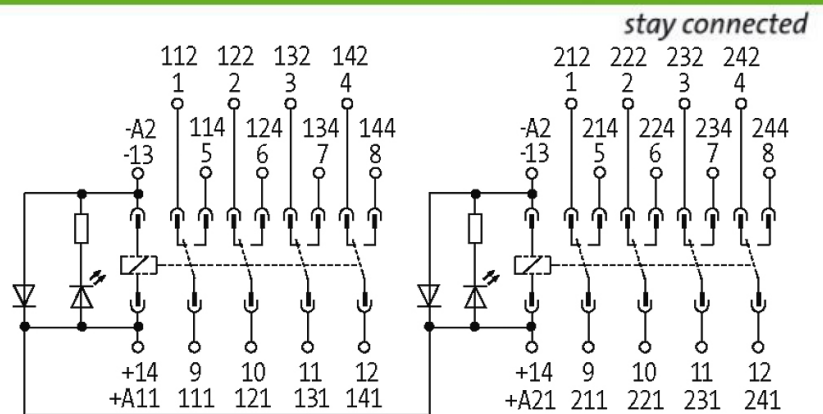


**MKS-J 67035 24 VDC RELAY SOCKET MODULES**

IN: 24 VDC - OUT: 250 VAC/ 110 DC / 3 A

for industrial relays  
4 NO/NC contacts  
24 V DC, minus bridged (coil)  
Diode + LED

[Link to Product](#)**Illustration**



Product may differ from Image

### Technical Data

Switching voltage	max. 250 V AC/110 V DC
Switching current	max. 3 A

### General data

Connection	Screw terminals: max. 4 mm <sup>2</sup>
Test isolation voltage	2.5 kV
Mounting method	DIN-rail mountable (EN 60715)
Dimensions H x W x D	85x45x64 mm

### Commercial data

country of origin	CZ
customs tariff number	85366990
EAN	4048879025492
eClass	27371001
Packaging unit	1