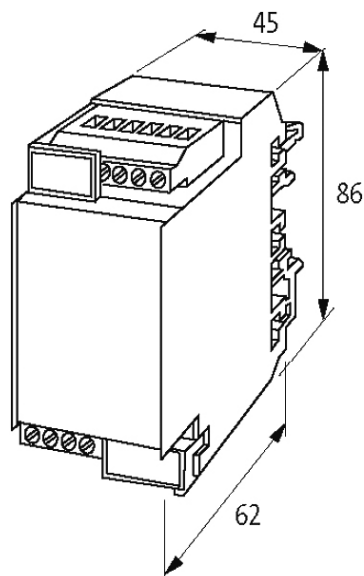


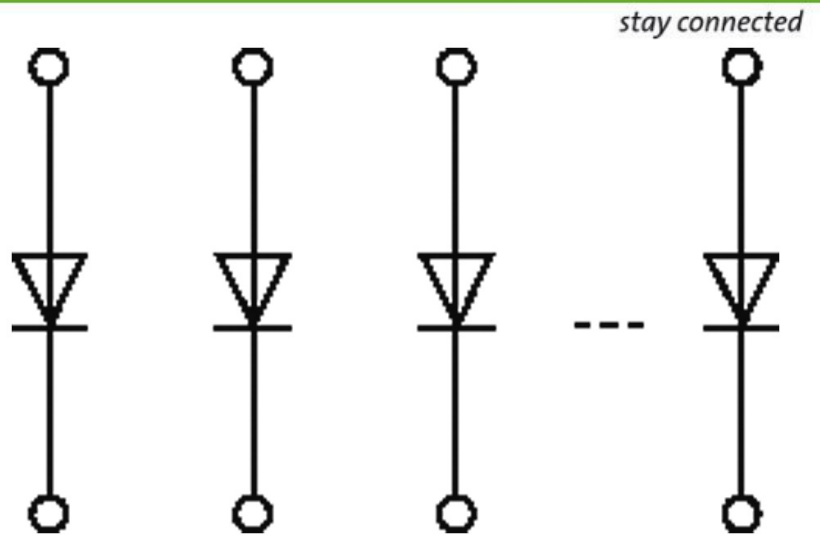
**MKS - D 10/1300 - 1 DIODE MODULES**

Mounting rail / screw-type terminal

Universal diode 1 300 V, 1 A  
10 diodes  
Single

separation contact via pluggable jumpers

[Link to Product](#)**Illustration**



Product may differ from Image

### Technical Data

Operating voltage max. 48 V AC/DC

### General data

Connection Screw terminals: max. 4 mm<sup>2</sup>

Mounting method DIN-rail mountable TH35 or G32 (EN 60715)

Temperature range -20...+60 °C

Dimensions H × W × D 85×45×62 mm

### Description

Functional description Diode modules are suitable for the suppression of inductive loads (valve, contactor, etc.)

### Commercial data

country of origin CZ

customs tariff number 85411000

EAN 4048879041874

eClass 27371010

Packaging unit 1