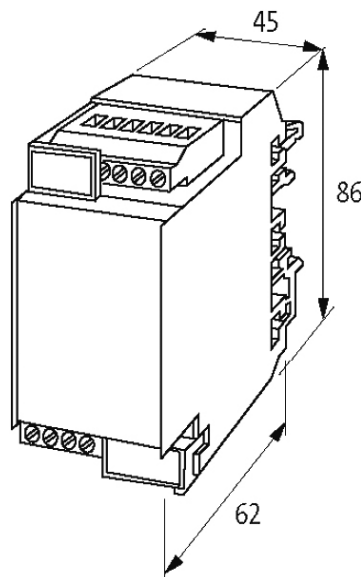


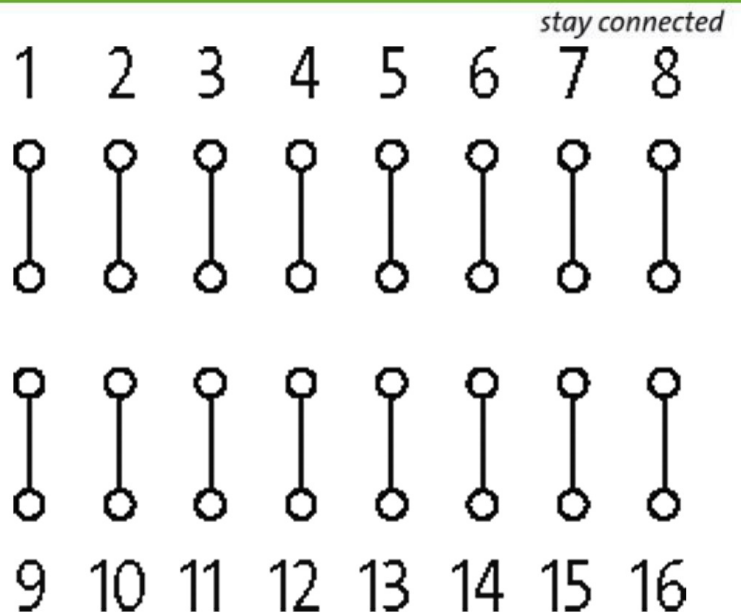
**ASSEMBLY MODULE MKS - M 8**

Mounting rail / screw-type terminal

8 pairs of solder pins

screw terminals connected to solder pin pairs

[Link to Product](#)**Illustration**



Product may differ from Image

#### Technical Data

Operating voltage	max. 250 V AC/DC
Operating current	max. 5 A
Distance of solder pins	40 mm

#### General data

Mounting method	DIN-rail mountable TH35 or G32 (EN 60715)
Connection	Screw terminals: max. 4 mm <sup>2</sup> , pairs of solder pins (spacing 5 mm)
Housing	Plastic, flame retardant. Cover removable
Temperature range	-20...+60 °C
Dimensions H × W × D	68×45×65 mm

#### Commercial data

country of origin	CZ
customs tariff number	85369010
EAN	4048879041805
eClass	27379201
Packaging unit	1